

To the Owner

Thank you for selecting a outboard motor. This Owner's Manual contains information needed for proper operation, maintenance and care. A thorough understanding of these simple instructions will help you obtain maximum enjoyment from you. If you have any question about the operation or maintenance of your outboard motor, please consult a dealer.

In this Owner's Manual particularly important information is distinguished in the following ways.



: This is the safety alert symbol. It is used to alert you to potential personal injury hazards. Obey all safety message that follow this symbol to avoid possible injury or death.



A WARNING indicated a hazardous situation which ,if not avoided,could result in death or serious injury.

NOTICE:

A NOTICE indicated special precautions that must be taken to avoid damage to the outboard motor or other property.

TIP:

A TIP Provides key information to make procedures easier or clearer.

To ensure long product life, we recommends that you use the product and perform the specified periodic inspections and maintenance by correctly following the instructions in the owner's manual.

Table of Contents

1. Safety information.....	3
2. General information.....	5
3. Specifications and requirements.....	8
4. Components	13
5. Instruments and indicators.....	20
6. Engine control system.....	21
7. Installation.....	21
8. Operation.....	25
9. Maintenance.....	45
10. Trouble recovery.....	66

Safety information

Observe these precautions at all times.

Propeller

People can be injured or killed if they come in contact with the propeller. The propeller can keep moving even when the motor is in neutral, and sharp edges of the propeller can cut even when stationary.

- Stop the engine when a person is in the water near you.
- Keep people out of reach of the propeller, even when the engine is off.

Rotating parts

Hands, feet, hair, jewelry, clothing, personal flotation device (PFD) straps, etc., can become entangled with internal rotating parts of the engine, resulting in serious injury or death.

Keep the top cowling in place whenever possible. Do not remove or replace the cowling with the engine running.

Only operate the engine with the cowling removed according to the specific instructions in the manual. Keep hands, feet, hair, jewelry, clothing, PFD straps, etc., away from any exposed moving parts.

Hot parts

During and after operation, engine parts are hot enough to cause burns. Avoid touching any parts under the top cowling until the engine has cooled.

Electric shock

Do not touch any electrical parts while starting or operating the engine. They can cause shock or electrocution.

Engine shut-off cord (lanyard)

Attach the engine shut-off cord so that the engine stops if the operator falls overboard or leaves the helm. This prevents the boat from running away under power and leaving people stranded, or running over people or objects.

Always attach the engine shut-off cord to a secure place on your clothing or your arm or leg while operating. Do not remove it to leave the helm while the boat is moving. Do not attach the cord to clothing that could tear loose, or route the cord where it could become entangled, preventing it from functioning.

Do not route the cord where it is likely to be accidentally pulled out. If the cord is pulled during operation, the engine will shut off and you will lose most steering control. The boat could slow rapidly, throwing people and objects forward.

Gasoline

Gasoline and its vapors are highly flammable and explosive. Always, refuel according to the procedure on page 36 to reduce the risk of fire and explosion.

Gasoline exposure and spills

Take care not to spill gasoline. If gasoline spills, wipe it up immediately with dry rags.

Dispose of rage properly.

If any gasoline spills onto your skin, immediately wash with soap and water.

Change clothing if gasoline spills on it .

If you swallow gasoline,inhale a lot of gasoline vapor,or get gasoline in your eyes, get immediate medical attention. Never siphon fuel by mouth.

Carbon monoxide

This product emits exhaust gases which contain carbon monoxide, a colorless, odorless gas which may cause brain damage or death when inhaled. Symptoms include nausea, dizziness, and drowsiness. Keep cockpit and cabin areas well ventilated.Avoid blocking exhaust outlets.

Modifications

Do not attempt to modify this outboard motor.Modifcations to your outboard motor may reduce safety and reliability,and render the outboard unsafe or illegal to use.

Boating safety

This section includes a few of the many important safety precautions that you should follow when boating.

Alcohol and drugs

Never operate after drinking alcohol or taking drugs.Intoxication is one of the most common factors contributing to boating fatalities.

Personal floatation devices(PFDs)

Have an approved PFD on board for every occupant.We recommends that you must

wear a PDF whenever boating. At a minimum, children and non-swimmers should always wear PFDs,and everyone should wear PFDs when there are potentially hazardous boating conditions.

People in the water

Always watch carefully for people in the water, such as swimmers, skiers, or divers, whenever the engine is running.When someone is in the water near the boat,shift into neutral and stop the engine.

Stay away from swimming areas,Swimmers can be hard to see.

The propeller can keep moving even when the motor is in the neutral.Stop the engine when a person is in the water near you.

Passengers

Consult your boat manufacturer's instructions for details about appropriate passenger locations in your boat and be sure all passengers are positioned properly before accelerating and when operating above an idle speed.Standing or sitting in non-designated locations may result is being thrown either overboard or within the boat due to waves, wakes, or sudden changes in speed or direction,Even when people are positioned properly, alert your passengers if you must make any unusual maneuver,Always avoid jumping waves or wakes.

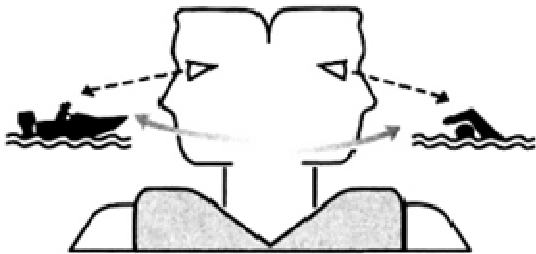
Overloading

Do not overload the boat.Consult the boat

capacity plate or boat manufacturer for maximum weight and number of passengers. Be sure that weight is properly distributed according to the boat manufacturer's instructions. Overloading or incorrect weight distribution can compromise the boat's handling and lead to an accident, capsizing or swamping.

Avoid collisions

Scan constantly for people, objects, and other boats. Be alert for conditions that limit your visibility or block your vision of others.



Operate defensively at safe speeds and keep a safe distance away from people, objects, and other boats.

- Do not follow directly behind other boats or waterskies.
- Avoid sharp turns or other maneuvers that make it hard for others to avoid you or understand where you are going.
- Avoid areas with submerged objects or shallow water.
- Ride within your limits and avoid aggressive maneuvers to reduce the risk of loss of control, ejection, and collision.
- Take early action to avoid collisions.

Remember, boats do not have brakes, and stopping the engine or reducing throttle can reduce the ability to steer. If you are not

sure that you can stop in time before hitting an obstacle, apply throttle and turn in another direction.

Weather

Stay informed about the weather. Check weather forecasts before boating. Avoid boating in hazardous weather.

Passenger training

Make sure at least one other passenger is trained to operate the boat in the event of an emergency.

Boating safety publications

Be informed about boating safety.

Additional publications and information can be obtained from many boating organizations.

Laws and regulations

Know the marine laws and regulations where you will be boating and obey them. Several sets of rules prevail according to geographic location, but all are basically the same as the international Rules of the Road.

General information

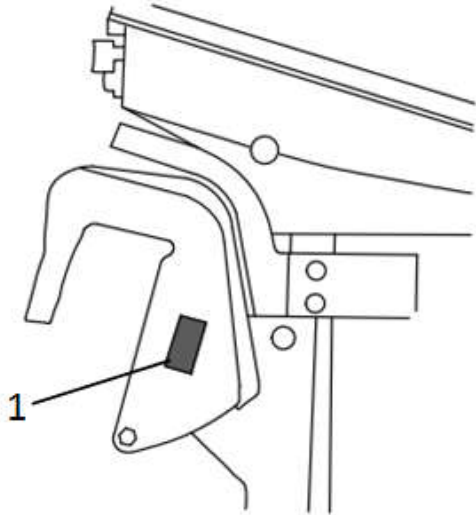
Identification numbers record

Outboard motor serial number

The outboard motor serial number is stamped on the label attached to the port side of the clamp bracket.

Record your outboard motor serial number

in the spaces provided to assist you in ordering spare parts from your dealer or for reference in case your outboard motor is stolen.



1. Outboard motor serial number location

Read manual and labels

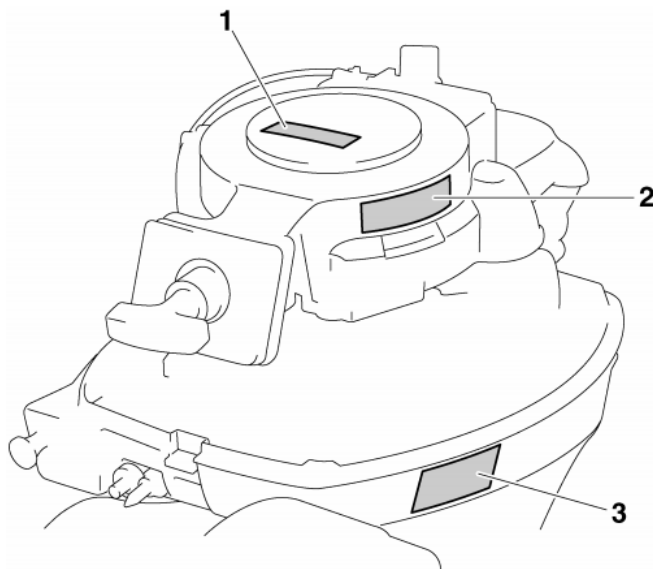
Before operating or working on this outboard motor:

- Read this manual.
- Read any manuals supplied with the boat.
- Read all labels on the outboard motor and the boat.

If you need any additional information, contact your dealer.

Warning labels

If these labels are damaged or missing, contact your dealer for replacements.



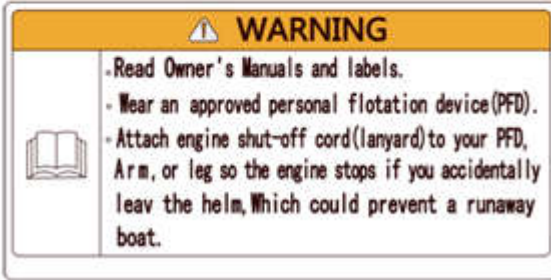
1



2



3



Contents of labels

The above warning labels mean as follows.

1. **WARNING**

Emergency starting does not have start-in-gear protection. Ensure shift control is in neutral before starting engine.

2. **WARNING**

- Keep hands, hair, and clothing away from rotating parts while the engine is running.
- Do not touch or remove electrical parts when starting or during operation.

3. **WARNING**

- Read Owner's Manuals and labels.
- Wear an approved personal flotation device (PFD)
- Attach engine shut-off cord (lanyard) to your PFD, arm, or leg so the engine stops if you accidentally leave the helm, which could prevent a runaway boat.

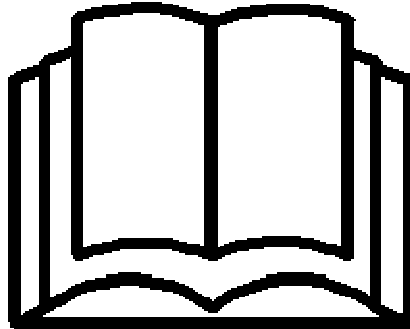
Symbols

The following symbols mean as follows.

Notice/Warning



Read Owner's Manual



Hazard caused by continuous rotation



Electrical hazard



Specifications and requirements

Specifications

TIP:

“AL” stated in the specification data below represents the numerical value for the aluminum propeller installed.

Dimension and weight:

Overall length:

983 mm (38.7 in)

Overall width:

357 mm (14.1 in)

Overall height S:

1008mm (39.7 in)

Overall height L:

1135mm (44.7 in)

Motor transom height S:

431 mm (17.0 in)

Motor transom height L:

558 mm (22.0 in)

Dry weight (AL) S:

40 KG (88 lb)

Dry weight (AL) L:

41KG (90lb)

Performance:

Full throttle operating range:

5000-6000 r/min

Rate power:

7.3 KW(9.9hp)

Idle speed (in neutral):

1000-1100 r/min

Power unit:

Type:

4-stroke SOHC L2 4 valves

Total displacement:

212 cm³ (12.9 c.i.)

Bore×stroke:

56.0×43.0 mm (2.2×1.69 in)

Ignition system:

CDI

Spark plug (NGK):

BR6HS-10

Spark plug gap:

0.9-1.0 mm (0.035-0.039 in)

Steering system:

Tiller handle

Starting system:

Manual starter

Starting carburetion system:

Choke valve

Valve clearance IN (cold engine):

0.15-0.20 mm (0.0059-0.0079 in)

Valve clearance EX (cold engine):

0.20-0.25 mm (0.0079-0.0098 in)

Lower unit

Gear shift positions:

Forward-neutral-reverse

Gear ratio:

2.08 (27/13)

Trim and tilt system:

Manual tilt

Propeller mark:

8 1/2 x 8 1/2

Fuel and oil:

Recommended fuel:

Regular unleaded gasoline

Unleaded gasoline

Min. research octane number (RON):

90

Fuel tank capacity:

12 L (3.17 US gal. 2.64 Imp. gal)

Recommended engine oil:

4-stroke outboard motor oil

Recommended engine oil grade 1:

SAE 10W-30/10W-40/5W-30

API SE/SF/SG/SH/SJ/SL

Engine oil quantity (without oil filter replacement):

0.8 L (0.85 US qt, 0.7 Imp. qt)

Lubrication system:

Wet sump

Recommended gear oil:

Hypoid gear oil

Recommended gear oil grade:

SAE 90 API GL-4

Gear oil quantity:

0.150 L (0.159 US qt, 0.132 Imp. qt)

Tightening torque:

Spark plug:

24 Nm (2.45 kgf-m, 17.7ft-lb)

Propeller nut:

17 Nm (1.73 kgf-m, 12.5 ft-lb)

Engine oil drain bolt:

24 Nm (2.45 kgf-m, 17.7 ft-lb)

Installation requirements

Boats horsepower rating



Overpowering a boat can cause severe instability.

Before installing the outboard motor(s), confirm that the total horsepower of your outboard motor(s) does not exceed the boat's maximum horsepower rating. See the boat's capacity plate or contact the manufacturer.

Mounting the outboard motor



- **Improper mounting of the outboard motor could result in hazardous conditions, such as poor handling, loss of control, or fire hazards.**
- **Because the motor is very heavy, special equipment and training is required to mount it safely.**

Your dealer or other person experienced in proper rigging should mount the motor using correct equipment and complete rigging instructions. For further information, see page 21.

Battery requirements

Without a rectifier or Rectifier Regulator

NOTICE:

A battery cannot be connected to

models that do not have a rectifier or Rectifier Regulator.

If you wish to use a battery with the models without a rectifier or Rectifier Regulator, install an optional Rectifier Regulator. Install an optional Rectifier Regulator or use accessories rated to withstand 18 volts or higher with the above models. Consult your dealer for details on installing an optional Rectifier Regulator.

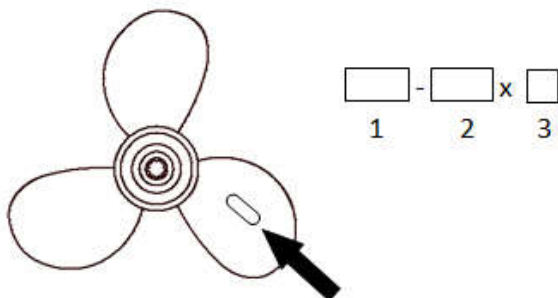
Propeller selection

Next to selecting an outboard motor, selecting the right propeller is one of the most important purchasing decisions a boater can make. The type, size and design of your propeller have a direct impact on acceleration, top speed, fuel economy, and even engine life. We design and manufacture propellers for every outboard motor and every application. Your outboard motor came with a propeller selected to perform well over a range of applications, but there may be uses where a different propeller would be more appropriate.

Your dealer can help you select the right propeller for your boating needs. Select a propeller that will allow the engine to reach the middle or upper half of the operating range at full throttle with the maximum boatload. Generally, select a larger pitch propeller for a smaller operating load and a smaller pitch propeller for a heavier load. If

you carry loads that vary widely, select the propeller that lets the engine run in the proper range for your maximum load but remember that you may need to reduce your throttle setting to stay within the recommended engine speed range when carrying lighter loads.

To check the propeller, see page 61



1. Type of propeller (propeller mark)
2. Propeller diameter in inches
3. Propeller pitch in inches

Start-in-gear protection

Our outboard motors are equipped with with start-in-gear protection device. This feature permits the engine to be started only when it is in neutral. Always select neutral before starting the engine.

Engine oil requirements

Select an oil grade according to the average temperatures in the area where the outboard motor will be used.

Recommended engine oil:

4-stroke outboard motor oil

Recommended engine oil grade 1:

SAE 10W-30/10W-40/5W-30

API SE/SF/SG/SH/SJ/SL

Recommended engine oil grade 2:

SAE 15W-40/20W-40/20W-50

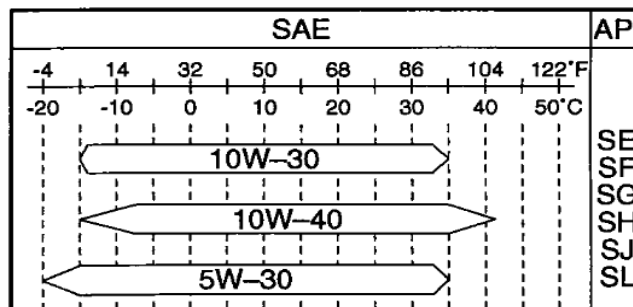
API SH/SJ/SL

Engine oil quantity:

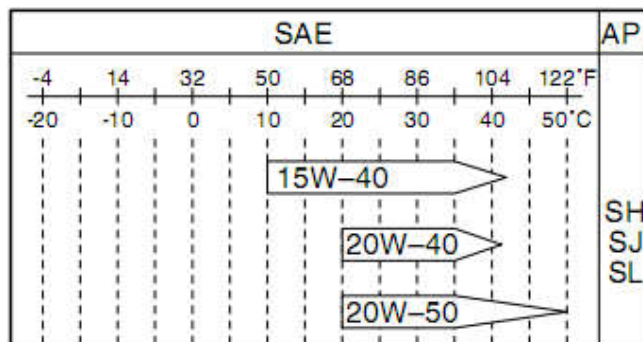
0.8L (0.85 US qt, 0.7 Imp. qt)

If oil grades listed under Recommended engine oil grade 1 are not available, select an alternative oil grade listed under Recommended engine oil grade 2.

Recommended engine oil grade 1



Recommended engine oil grade 2



Fuel requirements

Gasoline

Use a good quality gasoline that meets the minimum octane rating. If knocking or pinging occurs, use a different brand of gasoline or premium unleaded fuel. We recommends that you use alcohol-free (see Gasohol) gasoline whenever possible.

For Russia

Recommended fuel:

Unleaded gasoline

Min. research octane number (RON):

90

For others

Recommended fuel:

Regular Unleaded gasoline

Min. research octane number (RON):

90

NOTICE:

- **Do not use leaded gasoline. Leaded gasoline can seriously damage the engine.**
- **Avoid getting water and contaminants in the fuel tank. Contaminated fuel can cause poor performance or engine damage. Use only fresh gasoline that has been stored in clean containers.**

Gasohol

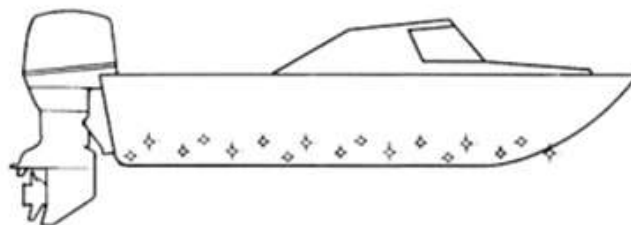
There are two types of gasohol: gasohol containing ethanol (E10) and that containing methanol. Ethanol can be used if the ethanol content does not exceed 10% and the fuel meets the minimum octane ratings. All ethanol blends containing more than 10% ethanol can cause fuel system damage or cause engine starting and running problems. We do not recommend gasohol containing methanol because it can cause fuel system damage or engine performance problems.

Anti-fouling paint

A clean hull improves boat performance. The boat bottom should be kept as clean of marine growth as possible. If necessary, the boat bottom can be coated with an

anti-fouling paint approved for your area to inhibit marine growth.

Do not use anti-fouling paint which includes copper or graphite. These paints can cause more rapid engine corrosion.



Outboard motor disposal requirements

Never illegally discard (dump) the outboard motor. We recommend consulting the dealer about discarding the outboard motor.

Emergency equipment

Keep the following items onboard in case there is trouble with the outboard motor.

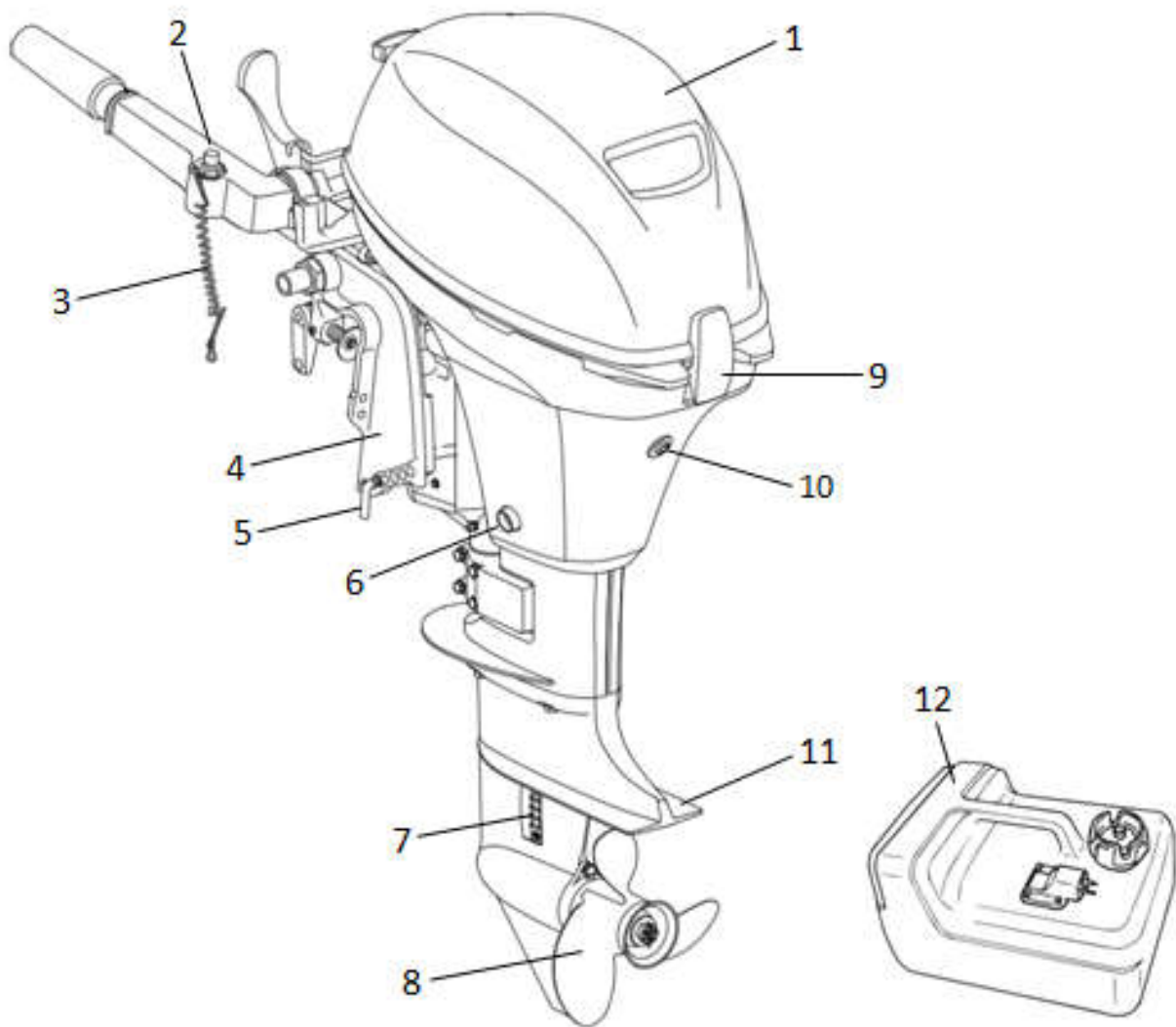
- A tool kit with assorted screwdrivers, pliers, wrenches (including metric sizes), and electrical tape.
- Waterproof flashlight with extra batteries.
- An extra engine shut-off cord (lanyard) with clip.
- Spare parts, such as an extra set of spark plugs.

Consult your dealer for dealer for detail.

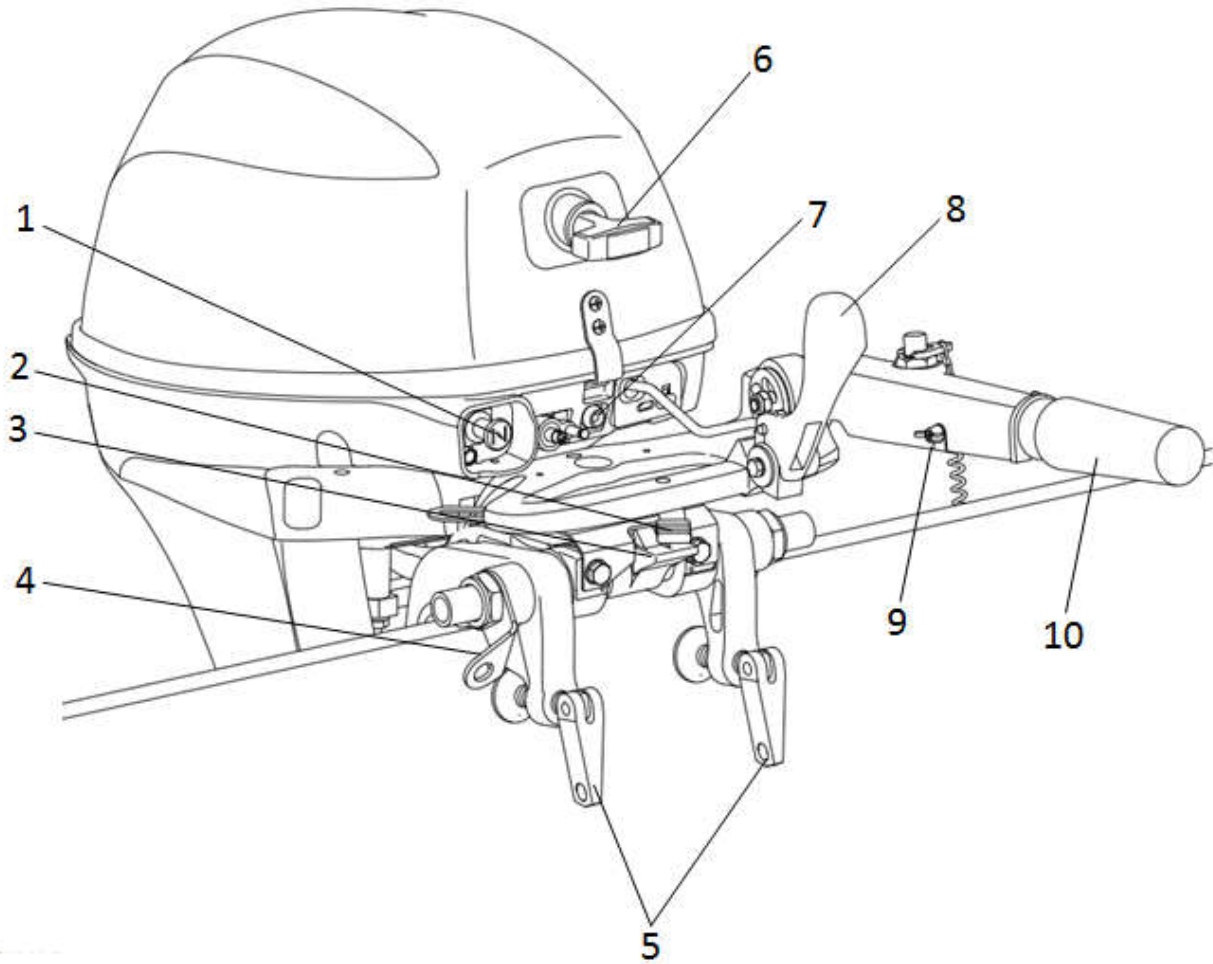
Components diagram

TIP:

* May not be exactly as shown; also may not be included as standard equipment on all models (order from dealer)



1. Top cowling
2. Engine Stop button
3. Engine shut-off cord (lanyard)
4. Clamp bracket
5. Trim rod
6. Drain screw
7. Cooling water inlet
8. Propeller
9. Cowling lock lever
10. Idle hole
11. Anti-cavitation plate
12. Fuel tank



1. Choke knob
2. Steering friction adjuster
3. Tilt lock lever
4. Restraint cable attachment
5. Clamp screw
6. Manual starter handle
7. Alert indicator
8. Throttle friction adjuster
9. Gear shift lever
10. Throttle grip

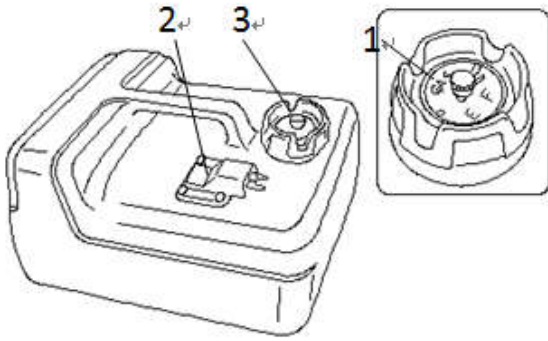
! WARNING

Fuel tank

If your model was equipped with a portable fuel tank, its function is as follows.

The fuel tank supplied with this engine is its dedicated fuel reservoir and must not be used as a fuel storage container.

Commercial users should conform to relevant licensing or approval authority regulations.



1. Air vent screw
2. Fuel joint
3. Fuel tank cap

Fuel joint

This joint is used to connect the fuel line

Fuel gauge

This gauge is located on either the fuel tank cap or on the fuel joint base, it shows the approximate amount of fuel remaining in the tank.

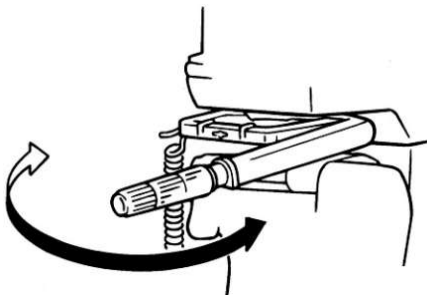
Fuel tank cap

This cap seals the fuel tank. When removed, the tank can be filled with fuel. To remove the cap, turn it counterclockwise.

Air vent screw

This screw is on the fuel tank cap. To loosen the screw, turn it counterclockwise.

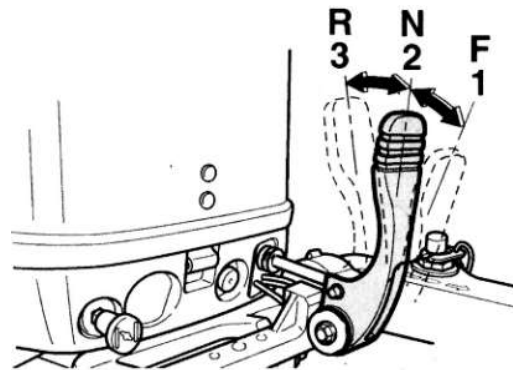
Tiller handle



To change direction, move the tiller handle to the left or right as necessary

Gear shift lever

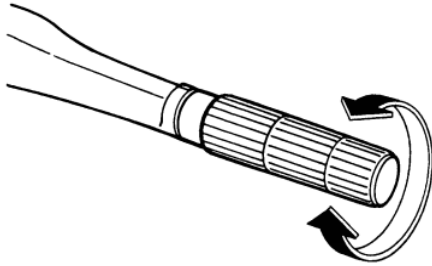
Move the gear shift lever forward to engage the forward gear or rearward to engage the reverse gear.



1. Forward "F"
2. Neutral "N"
3. Reverse "R"

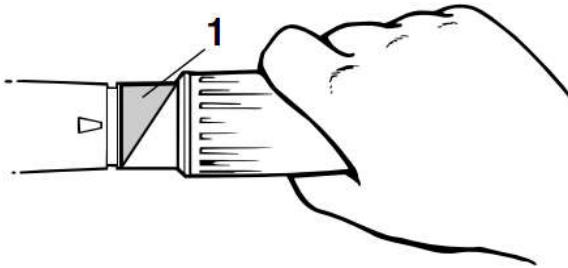
Throttle grip

The throttle grip is on the tiller handle. Turn the grip counterclockwise to increase speed and clockwise to decrease speed.



Throttle indicator

The fuel consumption curve on the throttle indicator shows the relative amount of fuel consumed for each throttle position. Choose the setting that offers the best performance and fuel economy for the desired operation.

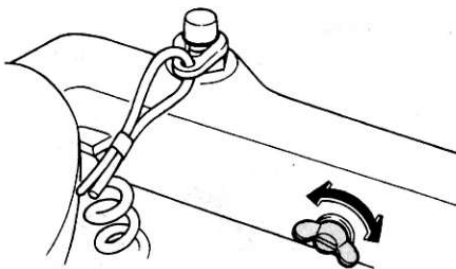


1. Throttle indicator

Throttle friction adjuster

A friction device provides adjustable resistance to movement of the throttle grip or the remote control lever, and can be set according to operator preference.

To increase resistance, turn the adjuster clockwise. To decrease resistance, turn the adjuster counterclockwise. **Warning! Do not over tighten the friction adjuster. If there is too much resistance, it could be difficult to move the remote control lever or throttle grip, which could result in an accident.**

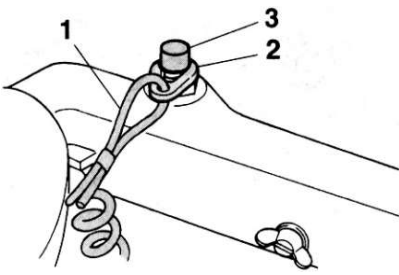


When constant speed is desired, tighten the adjuster to maintain the desired throttle setting.

Engine shut-off cord (lanyard) and clip

The clip must be attached to the engine shut-off switch for the engine to run. The cord should be attached to a secure place on the operator's clothing, or arm or leg. Should the operator fall overboard or leave the helm, the cord will pull out the clip, stopping ignition to the engine, this will prevent the boat from running away under power.

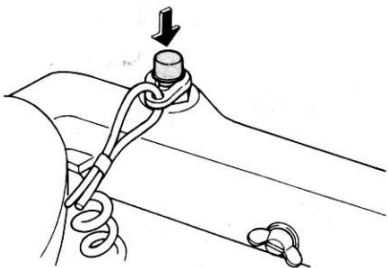
WARNING! Attach the engine shut-off cord to a secure place on your clothing, or your arm or leg while operating. Do not attach the cord to clothing that could tear loose. Do not route the cord where it could become entangled, preventing it from functioning. Avoid accidentally pulling the cord during normal operation. Loss of engine power means the loss of most steering control. Also, without engine power, the boat could slow rapidly. This could cause people and objects in the boat to be thrown forward.



1. Engine shut-off cord (lanyard)
2. Clip
3. Engine shut-off switch

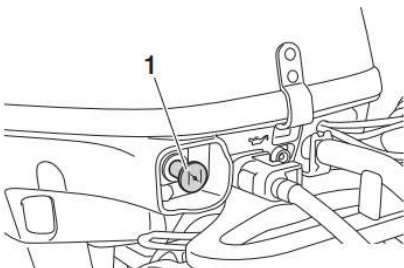
Engine stop button

The engine stop button stops the engine when the button is pushed.



Pull-type-choke knob

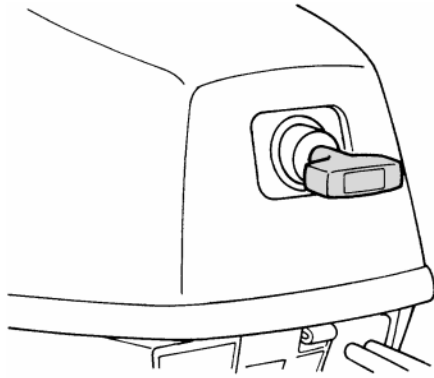
Pull the choke knob to supply a rich fuel mixture to the engine.



1. Choke knob

Manual starter handle

The manual starter handle is used to crank and start the engine.



Steering friction adjuster

A friction device provides adjustable resistance to the steering mechanism, and can be set according to operator preference. An adjuster lever is located on the bottom of the tiller handle bracket.

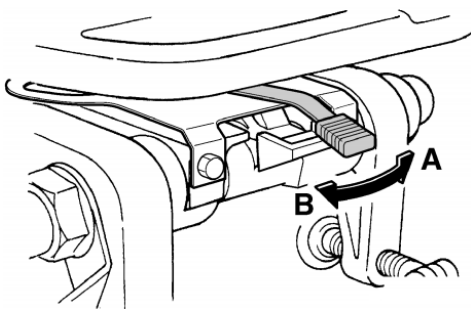
To increase resistance, turn the lever to the port side “A”.

To decrease resistance, turn the lever to the starboard side “B”.

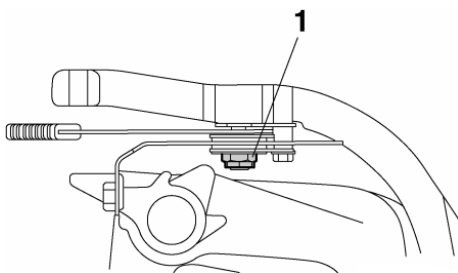


WARNING

Do not overtighten the friction adjuster. If there is too much resistance, it could be difficult to steer, which could result in an accident.



If the resistance does not increase even when the lever is turned to the port side “A”, make sure that the nut is tightened to the specified torque.



1. Nut

Nut tightening torque:

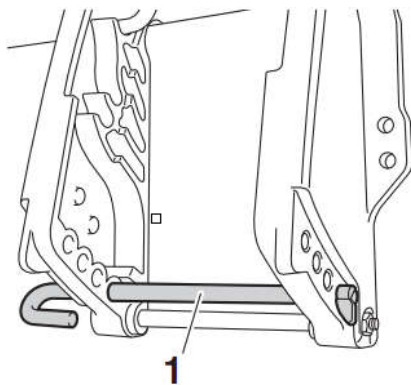
8Nm (0.82kgf-m, 5.9 ft-lb)

Tip:

- Steering movement is blocked when the adjuster lever is set to the “A” position.
- Check the tiller handle for smooth movement when the lever is turned to the starboard side “B”
- Do not apply lubricants such as grease to the friction areas of the steering friction adjuster.

Trim rod (tilt pin)

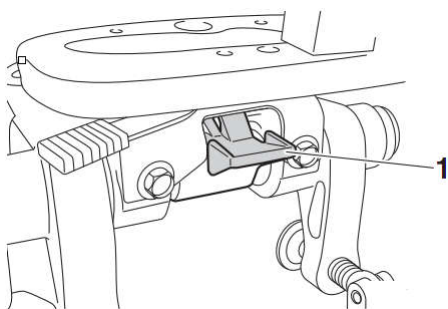
The position of the trim rod determines the minimum trim angle of the outboard motor in relation to the transom.



1. Trim rod

Tilt lock mechanism

The tilt lock mechanism is used to prevent the outboard motor from lifting out of the water when in reverse gear.

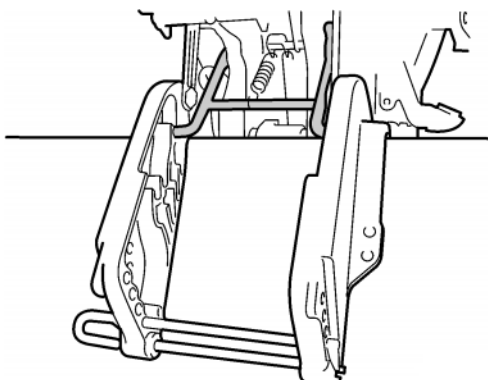


1. Tilt lock lever

To lock it, set the tilt lock lever in the lock position. To release, push the tilt lock lever in the release position.

Tilt support bar

The tilt support bar keeps the outboard motor in the tilted up position.

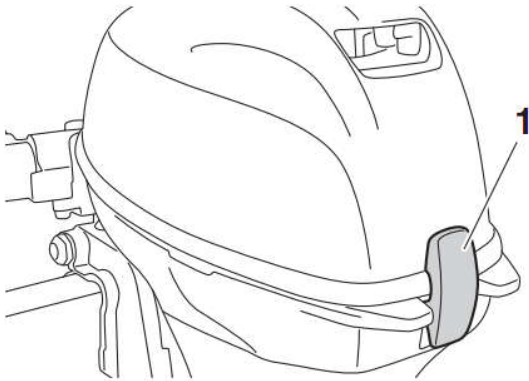


NOTICE:

Do not use the tilt support bar when tailoring the boat. The outboard motor could shake loose from the tilt support and fall. If the motor cannot be tailored in the normal running position, use an additional support device to secure it in the tilt position.

Cowling lock lever

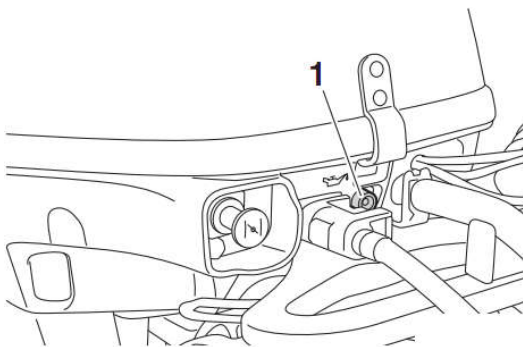
The cowling lock lever(s) is used to secure the top cowling.



1. Cowling lock lever

Alert indicator

If the engine develops a condition which is cause for alert, the indicator lights up. For details on how to read the alert indicator, see page 21.



1. Low oil pressure-alert indicator

Instruments and indicators

Indicators

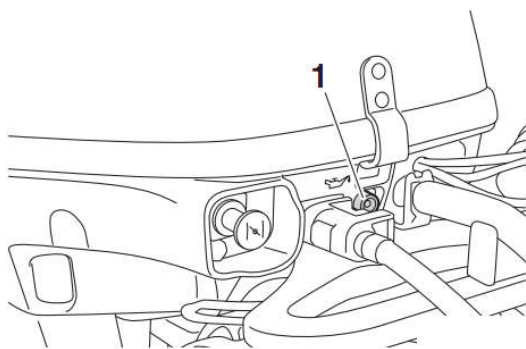
Low oil pressure-alert indicator

If oil pressure drops too low, this indicator will light up. For further information, see page 21.

NOTICE:

- Do not continue to run the engine if the low oil pressure-alert indicator is on and the engine oil level is lower, Serious engine damage will occur.
- The low oil pressure-alert indicator does not indicate the engine oil level. Use the

oil dipstick to check the remaining oil quantity. For further information, see page 28



1. Low oil pressure-alert indicator

Engine control system

Alert system

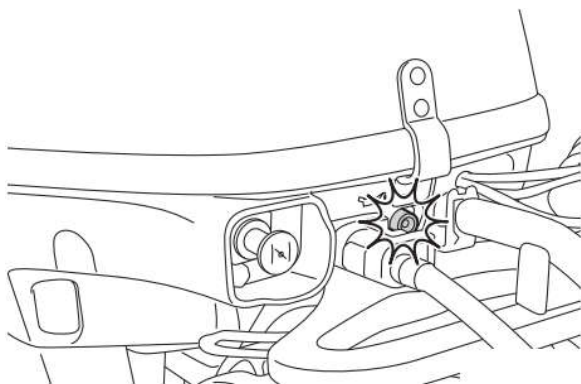
NOTICE:

Do not continue to operate the engine if an alert device has activated. Consult your Yamaha dealer if the problem cannot be located and corrected.

Low oil pressure alert

If the oil pressure drops too low, the alert device will activate.

- The engine speed will automatically decrease to about 2000 r/min. If equipped with a low oil pressure-alert indicator, it will light or blink.



- The buzzer will sound (if equipped on the tiller handle, remote control box, or main switch panel).

If the alert system has activated, stop the engine as soon as it is safe to do so. Check the oil level and add oil as needed. If the oil level is correct and the alert device does not switch off, consult your dealer.

Installation

The information presented in this section is intended as reference only. It is not possible to provide complete instructions for every possible boat and motor combination. Proper mounting depends in part on experience and the specific boat and motor combination.

⚠ WARNING

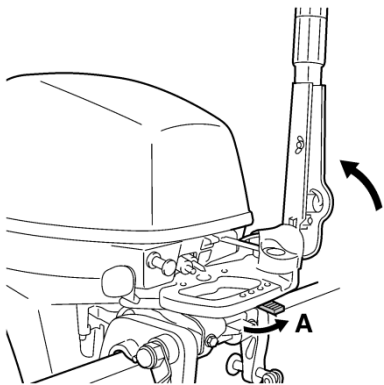
- Overpowering a boat could cause severe instability. Do not install an outboard motor with more horsepower than the maximum rating on the capacity plate of the boat, If the boat does not have a capacity plate, consult the boat manufacturer.
- Improper mounting of the outboard motor could result in hazardous conditions such as poor handling, loss of control, as fire hazards. For permanently mounted models, your dealer or other person experienced in proper rigging should mount the motor.

Mounting the outboard motor

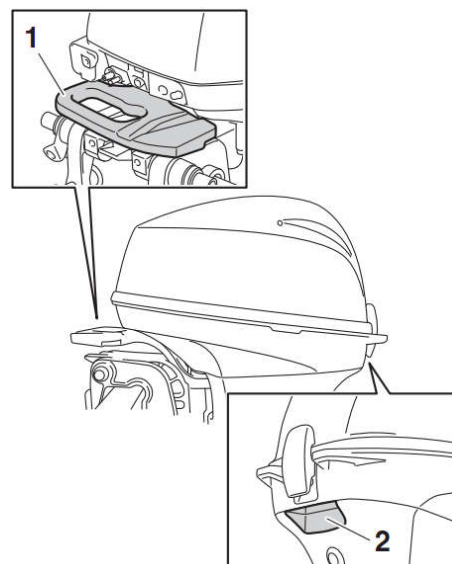
NOTICE:

Do not hold the top cowling when mounting or dismounting the outboard motor. The top cowling could come off, causing the outboard motor to fall.

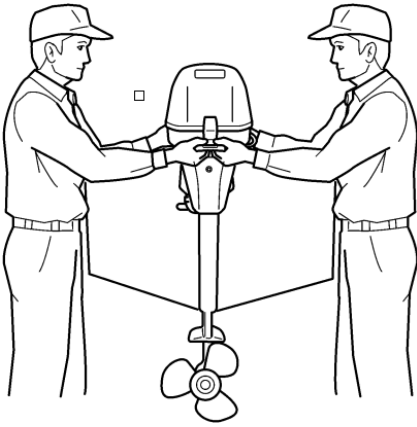
1. Be sure to mount the outboard motor while the boat is on land. If the boat is on the water, move it to an area on land.
2. To prevent steering movement, turn the adjuster lever to “A”(If equipped with the adjuster lever). To hold the steering bracket easily, raise the tiller handle to the vertical position (If equipped with the tiller handle).



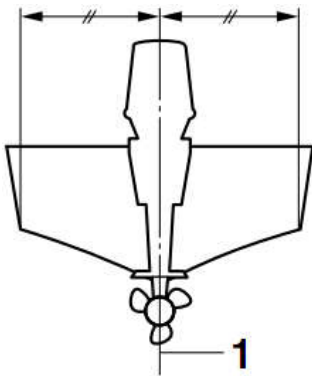
3. Hold the handgrip and steering bracket as shown in the illustration and lift up the outboard motor using two people.



1. Steering bracket
2. Handgrip



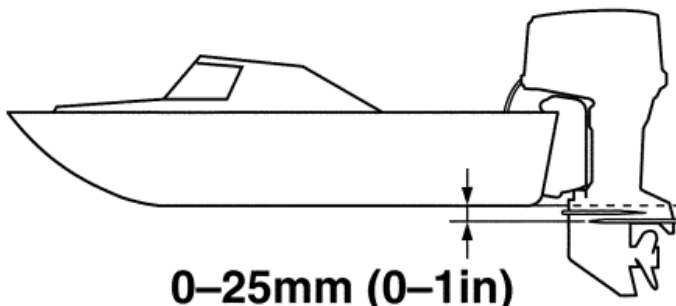
4. Mount the outboard motor on the center line (keel line) of the boat, and ensure that the boat itself is well balanced. Otherwise the boat will be hard to steer. For boats without a keel or which are asymmetrical. Consult your dealer.



1. Center line (keel line)

Mounting height

To run your boat at optimum efficiency, the water resistance (drag) of the boat and outboard motor must be made as little as possible. The mounting height of the outboard motor greatly affects the water resistance. If the mounting height is too high, cavitation tends to occur, thus reducing the propulsion, and if the propeller tips cut the air, the engine speed will rise abnormally and cause the engine to overheat. If the mounting height is too low, the water resistance will increase and thereby reduce engine efficiency. Mount the plate is between the bottom of the boat and a level 25 mm (1 in) below it.



NOTICE:

- Make sure that the idle hole is high enough to prevent water from entering the

engine even if the boat is stationary with the maximum load.

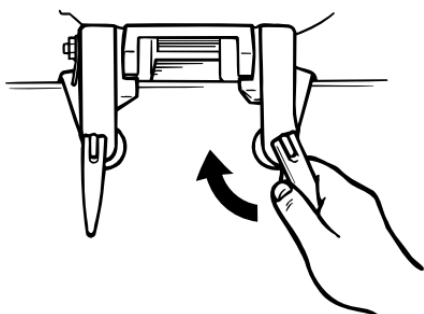
- **Incorrect engine height or obstructions to the smooth flow of water (such as the design or condition of the boat, or accessories, such as transom ladders or depth finder transducers) can create airborne water spray while the boat is cruising. If the outboard motor is operated continuously in the presence of airborne water spray, enough water could enter the engine through the air intake opening in the top cowling to cause severe engine damage. Remove the cause of the airborne water spray.**

Tip:

- The optimum mounting height of the outboard motor is affected by the boat and motor combination and the desired use. Test runs at different heights can help determine the optimum mounting height. Consult your Yamaha dealer or boat manufacturer for further information on determining the proper mounting height.
- For instructions on setting the trim angle of the outboard motor, see page 39.

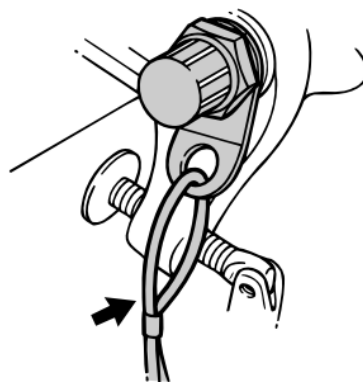
Clamping the outboard motor

1. Place the outboard motor on the transom so that it is positioned as close to the center as possible. Tighten the transom clamp screws evenly and securely. Occasionally check the clamp screws for tightness during operation of the outboard motor because they could become loose due to engine vibration. **Warning! Loose clamp screws could allow the outboard motor to fall off or move on the transom. This could cause loss of control and serious injury. Make sure the clamp screws are tightened securely. Occasionally check the screws for tightness during operation.**

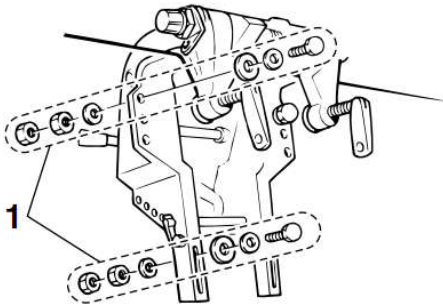


2. If the restraint cable attachment is equipped on your engine, a restraint cable or chain should be sure. Attach one end to the restraint cable attachment and the other to a secure mounting point on the boat. Otherwise the engine could be completely

lost if it accidentally falls off the transom.



3. Secure the clamp bracket to the transom using the bolts provided with the outboard (if packed). For details, consult your dealer. **WARNING! Avoid using bolts, nuts or washers other than those contained in the engine packing. If used, they must be of at least the same quality of material and strength and must be tightened securely. After tightening, Test run the engine and check their tightness.**



1. Bolts

Operation

First-time operation

Fill engine oil

The engine is shipped from the factory without engine oil. If your dealer did not fill the oil, you must fill it before starting the engine. **NOTICE: Check that the engine is filled with oil before first-time operation to avoid severe engine damage.**

The engine is shipped with the following tag, which should be removed after engine oil is filled for the first time. For more information on checking the engine oil level, see page 28.



Breaking in engine

Your new engine requires a period of break-in to allow mating surfaces of moving parts to wear in evenly. Correct break-in will help ensure proper, performance and longer engine life. **NOTICE: Failure to follow the break in procedure could result in reduced engine life or even severe engine damage.**

Procedure for 4-stroke models

Your new engine requires a period of 10 hours break-in to allow mating surfaces of moving parts to wear in evenly.

Tip:

Run the engine in the water, under load (in gear with a propeller installed) as follows. For 10 hours for break in engine avoid extended idling, rough water and crowded areas.

1. For the first hour of operation:

Run the engine at varying speeds up to 2000 r/min or approximately half throttle.

2. For the second hour of operation:

Increase engine speed as much as necessary to put the boat on plane (but avoid full-throttle operation), then back off on the throttle while keeping the boat at a planning speed.

3. Remaining 8 hours:

Run the engine at any speed. However avoid operating at full throttle for more than 5 minutes at a time.

4. After the first 10 hours:

Operate the engine normally

Getting to know your boat

All boats have unique handling characteristics. Operate cautiously while you learn how your boat handles under different conditions and various trim angles (see page 39).

Check before starting engine



If any item in “Checks before starting engine” is not working properly, have it inspected and repaired before operating the outboard motor. Otherwise, an accident could occur.

NOTICE:

Do not start the engine out of water. Overheating and serious engine damage can occur.

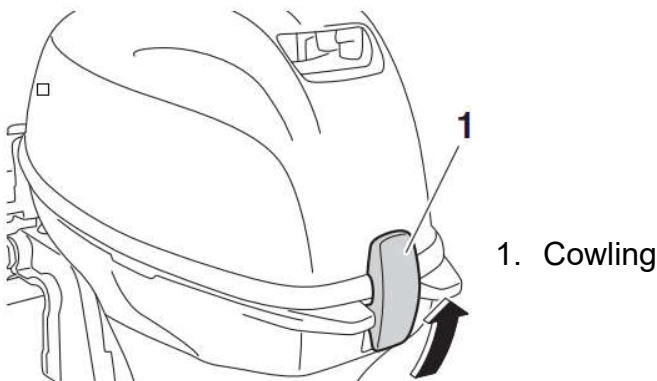
Fuel level

Be sure you have plenty of fuel for your trip. A good rule is to use 1/3 as an emergency, 1/3 to return, and to keep 1/3 as an emergency reserve. With the boat level on a trailer or in the water, check the fuel level. For fuel filling instructions, see page 30.

Removing top cowling

For the following checks, remove the top cowling from the bottom cowling.

To remove the top cowling, pull the cowling lock lever up and lift up the top cowling.



Fuel system



Gasoline and its vapors are highly flammable and explosive. Keep away from sparks, cigarettes, flames, or other sources of ignition.



Leaking fuel can result in fire or explosion.

- Check for fuel leakage regularly.
- If any fuel leakage is found, the fuel system must be repaired by a qualified mechanic. Improper repairs can make the outboard unsafe to operate.

Check for fuel leaks

- Check for fuel leaks or gasoline fumes in the boat.
- Check for fuel leakage from the fuel system.
- Check for fuel tank and fuel lines for crack, swellings, or other damages.

Controls

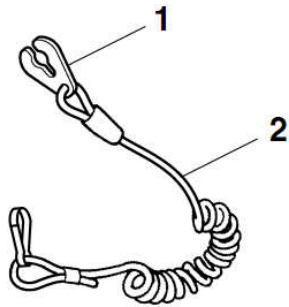
- Move the tiller handle fully to the left and right to make sure operation is smooth.
- Turn the throttle grip from the fully closed to the fully open position. Make sure that it

turns smoothly and that it completely returns to the fully closed position.

- Look for loose or damaged connections of the throttle and shift cabbies.

Engine shut-off cord (lanyard)

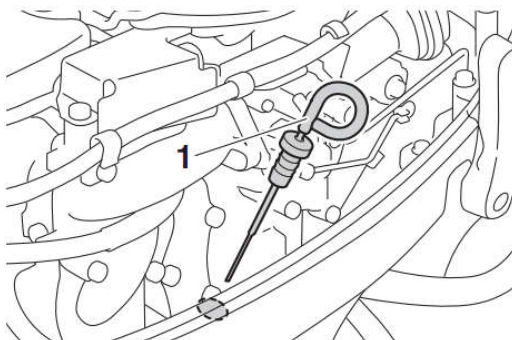
Inspect the engine shut-off cord and clip for damage, such as cuts, breaks, and water.



1. Clip
2. Engine shut-off switch(lanyard)

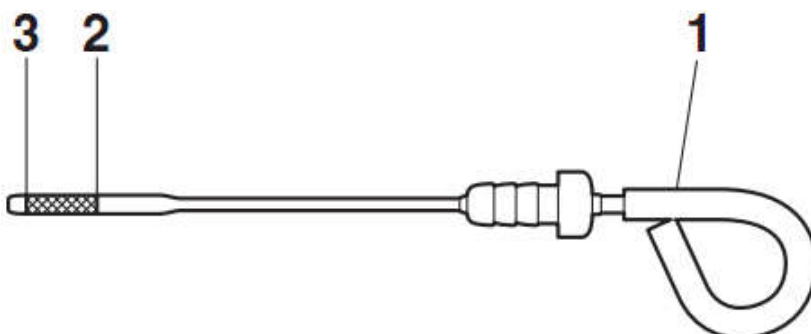
Engine oil

1. Place the outboard motor in a vertical position (not tilted). **NOTICE: If the outboard motor is not level, the oil level indicated on the oil dipstick may not be accurate.**
2. Remove the oil dipstick and wipe it clean.



1.Oil dipstick

3. Insert the oil dipstick completely and remove it again. Be sure to completely insert the dipstick into the dipstick guide, otherwise the oil level measurement will be incorrect.
4. Check that the oil level on the oil dipstick is between the upper and lower marks. Fill with oil if it is below the lower marks, or drain to the specified level if it is above the upper mark.



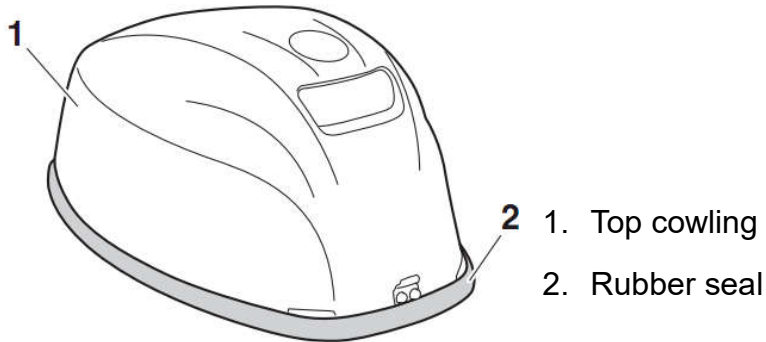
1. Oil dipstick
2. Upper mark
3. Lower mark

Outboard motor

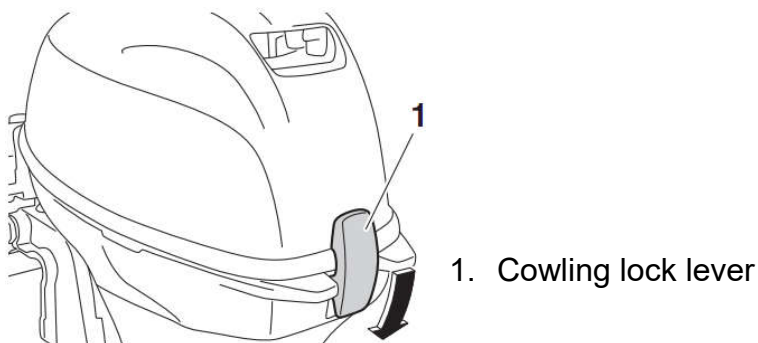
- Check the engine and engine mounted properly and check the outboard motor mounting bolts for looseness.
- Check the propeller for damage.
- Check for engine oil leaks.

Install top cowling

1. Be sure that the cowling lock lever is released.
2. Be sure that the rubber seal is seated all the way around the top cowling.



3. Place the top cowling on the bottom cowling.
4. Check to be sure the rubber seal is seated correctly between the top cowling and the bottom cowling.
5. Move the cowling lock lever to lock the top cowling as shown. **NOTICE: If the top cowling is not installed correctly water spray under the top cowling can damage the engine, or the top cowling can blow off at high speeds.**



After installing, check the fitting of the top cowling by pushing it with both hands. If the top cowling is loose, have it repaired by your dealer.



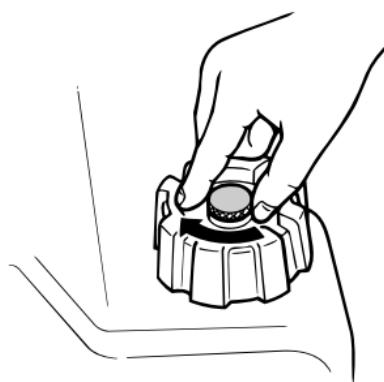
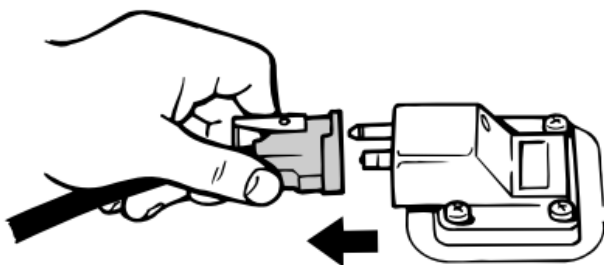
Filling fuel

WARNING

- Gasoline and its vapors are highly flammable and explosive. Always refuel according to this procedure to reduce the risk of fire and explosion.

- Gasoline is poisonous and can cause injury or death. Handle gasoline with care. Never siphon gasoline by mouth. If you should swallow some gasoline or inhale a lot of gasoline vapor, or get some gasoline in your eyes, see your doctor immediately. If gasoline spills on your skin, wash with soap and water. If gasoline spills on your clothing, change your clothes.

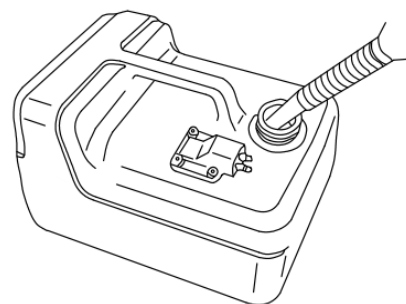
1. Be sure the engine is stopped.
2. Disconnect the fuel from the tank and tighten the air vent screw on the fuel tank cap.



3. Remove the portable tank from the boat.
4. Be sure you are in a well-ventilated outdoor area, either securely moored or trailered.
5. Do not smoke and keep away from sparks, flames, static electric discharge, or other sources of ignition.
6. If you use a portable container to store and dispense fuel, use only an approved **GASOLINE** Container.
7. Touch the fuel nozzle to the opening or funnel to help prevent electrostatic sparks.
8. Fill the fuel, but do not overfill. **WARNING!** Do not overfill. Otherwise fuel can expand and overflow if the temperature increases.

Fuel tank capacity:

12 L (3.17 US gal, 2.64 Imp. gal)



9. Tighten the filler cap securely.
10. Wipe up any spilled gasoline immediately with dry rags. Dispose rags properly according to local laws or regulations.

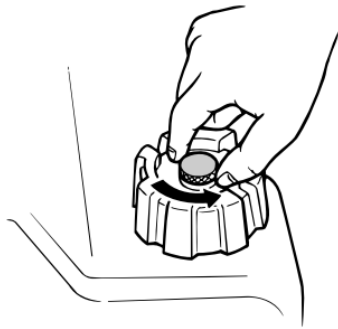
Operating Engine

WARNING

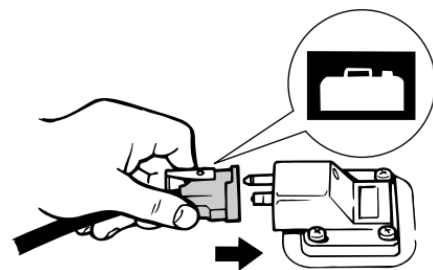
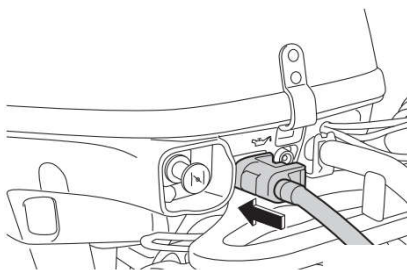
- Before starting the engine, make sure that the boat is tightly moored and that you can steer clear of any obstructions. Be sure there are no swimmers in the water near you.
- When the air vent screw is loosened gasoline vapor will be released. Gasoline is highly flammable, and its vapors are flammable and explosive. Refrain from smoking, and keep away from open flames and sparks while loosening the air vent screw.
- This product emits exhaust gases which contain carbon monoxide, a colorless, odorless gas which could cause brain damage or death when inhaled. Symptoms include nausea, dizziness, and drowsiness. Keep cockpit and cabin areas well ventilated. Avoid blocking exhaust outlets.

Sending fuel (portable tank)

1. If there is an air vent screw on the fuel tank cap. Loosen it 2 or 3 turns.



2. If there is a fuel joint on the motor, align the fuel joint on the fuel line with the fuel joint on the motor and firmly connect the fuel line to the joint while pinching the joint. Then firmly connect the other end of the fuel line joint on the fuel tank.

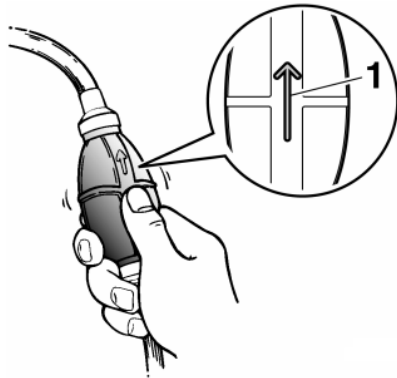


TIP:

Wipe up any spilled gasoline immediately with dry rags. Dispose rags properly according to local laws or regulations.

3. Squeeze the primer pump, with the arrow pointing up, until you feel it become firm. During engine operation place the tank horizontally, otherwise fuel cannot be drawn from

the fuel tank.



1. Arrow

Starting engine



Before starting the engine, make sure that the boat is tightly moored and that you can steer clear of any obstructions. Be sure there are no swimmers in the water near you.

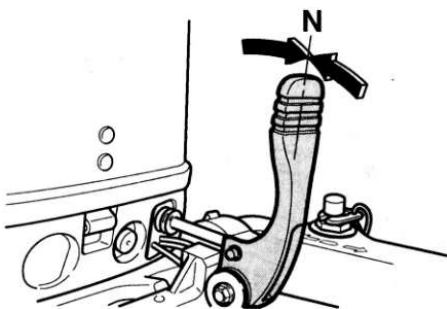
Manual start models (tiller control)



- Failure to attach the engine shut-off cord could result in a runaway boat if operator is ejected. Attach the engine shut-off cord to a secure place on your clothing, or your arm or leg while operating. Do not attach the cord to clothing that could tear loosen. Do not route the cord where it could become entangled, preventing it from functioning.
- Avoid accidentally pulling the cord during normal operation. Loss of engine power means the loss of most steering control. Also, without engine power, the boat could slow rapidly. This could cause people and objects in the boat to be thrown forward.

Starting procedure (cold engine)

1. Place the gear shift level in neutral.

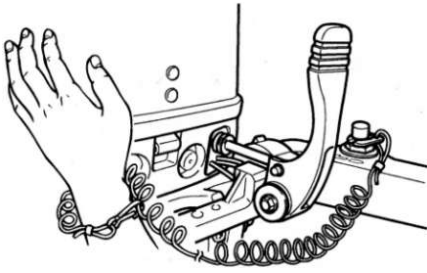


TIP:

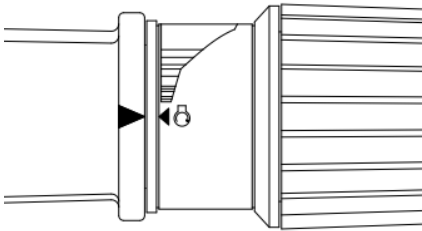
The start-in-gear protection device prevents the engine from starting except when in

neutral.

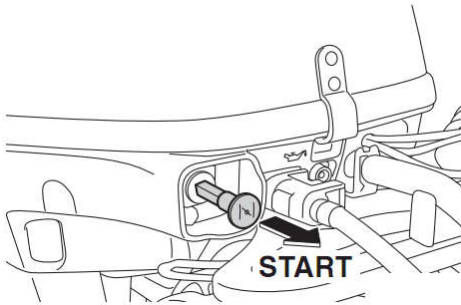
2. Attach the engine shut-off cord to a secure place on your clothing, or your arm or leg. Then install the clip on the other end of the cord into the engine shut-off switch.



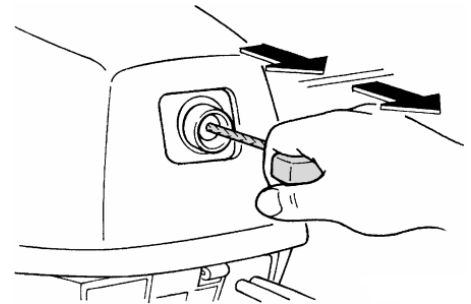
3. Place the throttle grip in the “**START** Ⓜ” (start) position.



4. Pull out the choke knob fully.

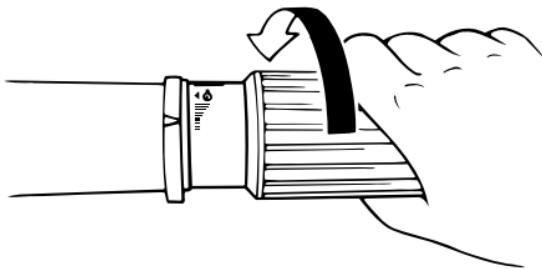


5. Pull the manual starter handle slowly until you feel resistance. Then give a strong pull straight out to crank and start the engine.



6. After the engine starts, slowly return the manual starter handle to its original position before releasing.

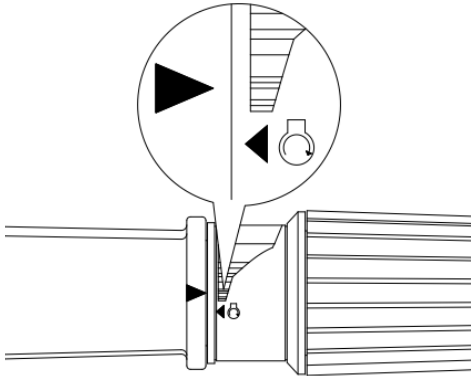
7. Slowly return the throttle grip to the full closed position.



8. Return the choke knob to the home position gradually.

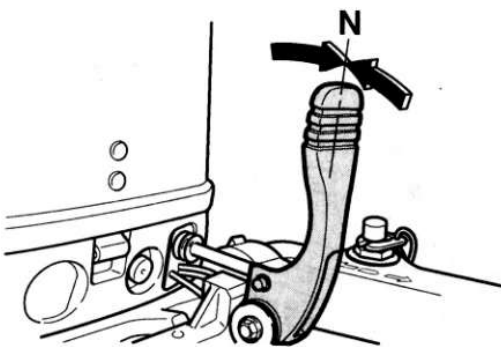
TIP:

- If the choke knob is left in the **“START”** (start) position while the engine is running, the engine will run poorly or stall.
- When the engine is cold, for example, when the ambient temperature is low in winter, it needs to be warmed up. For further information, see page 36.
- Do not turn the throttle grip unnecessarily to open and close the throttle before starting the engine, otherwise the engine may be difficult to start. If the engine is difficult to start, place the throttle grip in the **“WARM ENGINE”** (warm engine) position and try again.

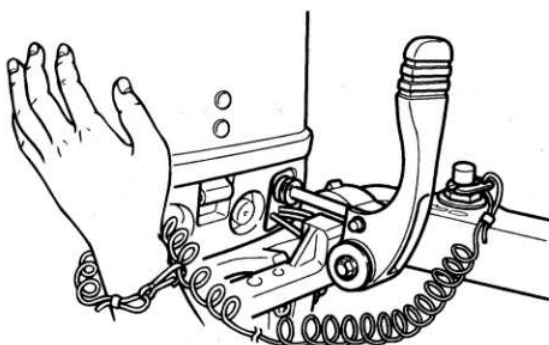


Starting procedure (warm engine)

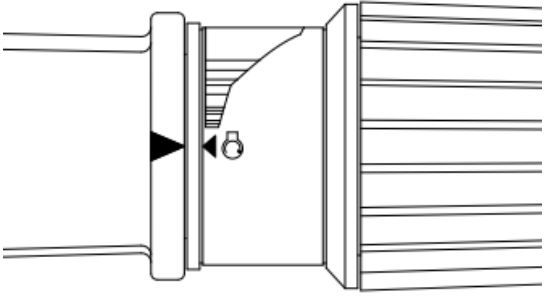
1. Place the gear shift lever in neutral.



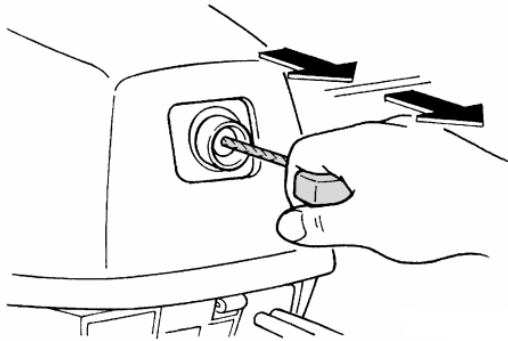
2. Attach the engine shut-off cord to a secure place on your clothing, or you arm or leg. Then install the clip on the other end of the cord into the engine shut-off switch.



3. Place the throttle grip in the **“START”** (start) position.

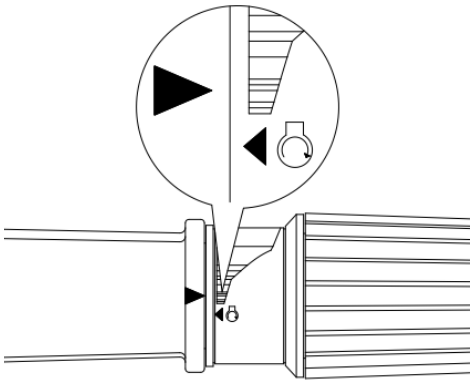


4. Pull the manual starter handle slowly until you feel resistance. Then give a strong pull straight out to crank and start the engine.



Tip:

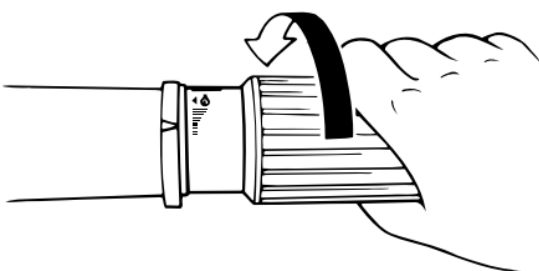
● If the engine does not start, place the throttle grip in the **“WARM ENGINE”**(warm engine) position and try again.



● It is not necessary to use the choke when starting a warm engine.

5. After the engine starts, slowly return the manual starter handle to its original position before releasing it.

6. Slowly return the throttle grip to the fully closed position.



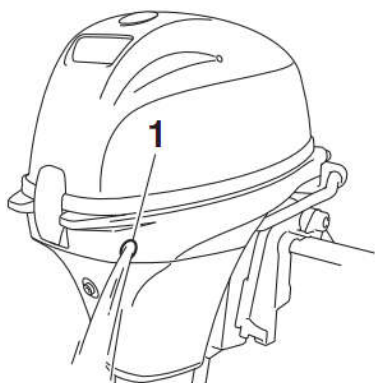
Checks after starting engine

Cooling water

Check for a steady flow of water from the cooling water pilot. A continuous flow of water from the pilot hole indicates that the water from pump water through the cooling water passages. If the cooling water passages are frozen, it may take a while for water to start flowing out of the pilot hole.

NOTICE:

If water is not flowing out of the pilot hole at all times while the engine is running, overheating and serious damage could occur. Stop the engine and check whether the cooling water inlet on the lower case or the cooling water pilot hole is blocked. Consult your Yamaha dealer if the problem cannot be located and corrected.



1. Cooling water pilot hole.

Warming up engine

Manual start models

1. After starting the engine, allow it to idle for 3 minutes to warm up. **NOTICE: Failure to do so will shorten engine life.**
2. Be sure the low oil pressure-alert indicator goes off after the engine. **NOTICE: If the low oil pressure-alert indicator blinks after the engine starts, stop the engine. Otherwise, serious engine damage could occur. Check the oil level and add engine oil if necessary. Consult your dealer if the cause for the low oil pressure alert cannot be found.**

Check after engine warm up

Shifting

While the boat is tightly moored, and without applying throttle, confirm that the engine shifts smoothly into forward and reverse, and back to neutral.

Stop switches

Perform the following procedure to check that the engine stop button and engine shut-off switch operate properly.

- Start the engine and check that the engine stops when the engine stop button is pushed.
- Restart the engine, and then check that the engine stops when the clip is pulled from the engine shut-off switch.
- Check that the engine cannot be started with the clip removed from the engine shut-off switch.

Shifting

WARNING

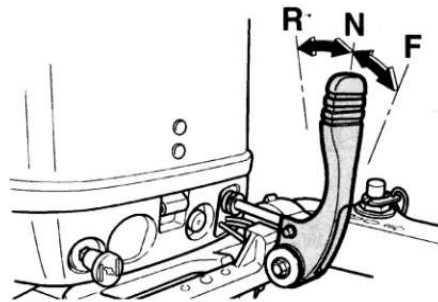
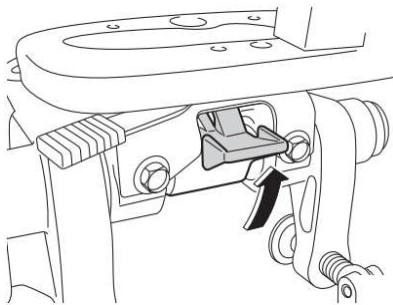
Before shifting, make sure there are no swimmers or obstacles in the water near you.

NOTICE:

Warm up the engine before shifting into gear. Until the engine is warm, the idle speed may be higher than normal. High idle speed can prevent you from shifting back to neutral. If this occurs, stop the engine, shift to neutral, then restart the engine and allow it to warm up.

To shift out of neutral

Move the gear shift lever firmly and crisply forward (for forward gear) or backward (for reverse gear). Be sure to check that the tilt lock lever is in the lock/down position (if equipped) before operating in reverse.

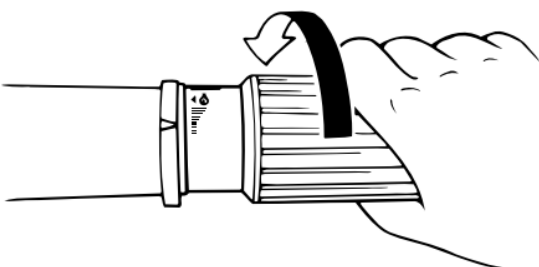


TIP:

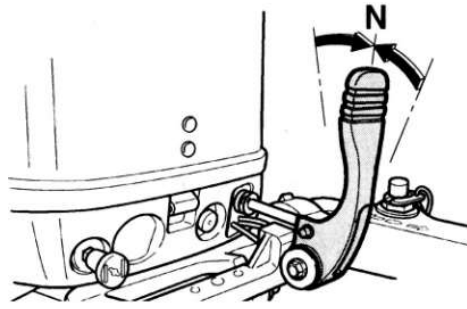
The gear shift lever operation only when the throttle grip is in the fully closed position.

To shift from in gear (forward/reverse) to neutral.

1. Close the throttle so that the engine slows to idle speed.



After the engine is at idle in gear move the gear lever firmly and crisply in to the neutral position.



Stopping boat

WARNING

- Do not use the reverse function to slow down or stop the boat as it could cause you to lose control, be ejected, or impact the steering wheel or other parts of the boat. This could increase the risk of serious injury. It could also damage the shift mechanism.
- Do not shift into reverse while traveling at planning speeds. Loss of control, boat swamping, or damage to the boat could occur.

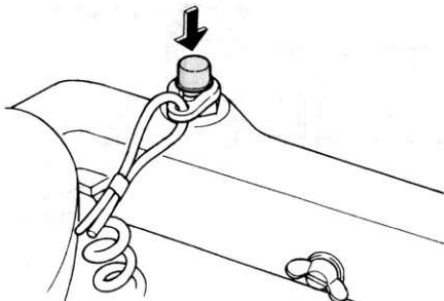
The boat is not equipped with a separate braking system. Water resistance stops it after the throttle lever is moved back to idle. The stopping distance varies depending on gross weight, water surface conditions, and wind direction.

Stopping engine

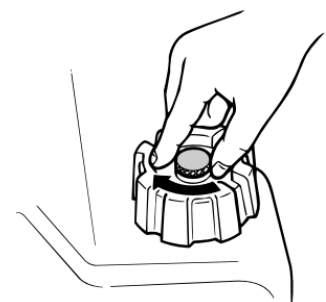
Before stopping the engine, first let it cool off for a few minutes at idle or low speed. Stopping the engine immediately after operating at high speed is not recommended.

Procedure

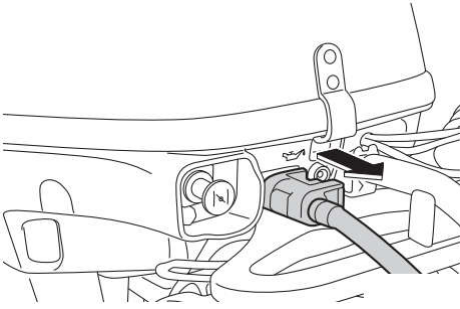
1. Push and hold the engine stop button until the engine comes to a complete stop.



2. After stopping the engine, tighten the air vent screw on the fuel tank cap and set the fuel cock lever or knob to the closed position,, if equipped.



3. Disconnect the fuel line if you are using an external fuel tank.



TIP:

If the outboard motor is equipped with an engine shut-off cord, the engine can also be stopped by pulling the cord and removing the clip from the engine shut-off switch.

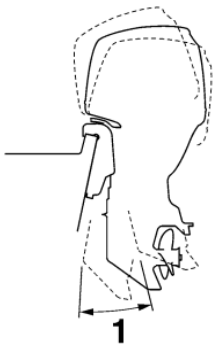
Trimming outboard motor



WARNING

Excessive trim for the operating conditions (either trim up or trim down,) can cause boat instability and make steering the boat more difficult. This increases the possibility of an accident, if the boat begins to feel unstable or is hard to steer, slow down and/or readjust the trim angle.

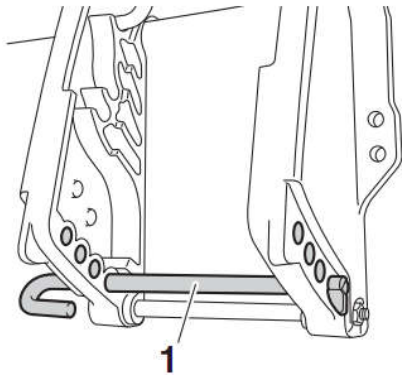
The trim angle of the outboard motor helps determine the position of the bow of the boat in the water. Correct trim angle will help improve performance and fuel economy while reducing strain on the engine. Correct trim angle depends upon the combination of boat, engine, and propeller. Correct trim is also affected by variables such as the load in the boat, sea conditions, and running speed.



Adjusting trim angle for manual tilt models

There are 4 or 5 holes provided in the clamp bracket to adjust the outboard motor trim angle.

1. Stop the engine.
2. Tilt the outboard motor up, and then remove the trim rod from the clamp bracket.



1. Trim rod

3. Reposition the rod in the desired hole. To raise the bow (trim-out”), move the rod away from the transom.

To the bow (“trim-in”), move the rod toward the transom.

Make test runs with the trim set to different angles to find the position that works best for your boat and operating conditions.

WARNING

- **Stop the engine before adjusting the trim angle.**
- **Use care to avoid being pinched when removing or installing the rod.**
- **Use caution when trying a trim position for the first time. Increase speed gradually and watch for any signs of instability or control problems. Improper trim angle can cause loss of control.**

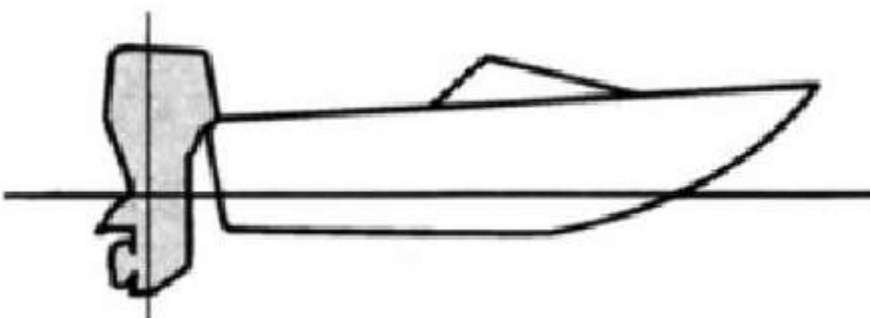
TIP:

The outboard motor trim angle can be changed approximately 4 degrees by shifting the trim rod one hole.

Adjusting boat trim

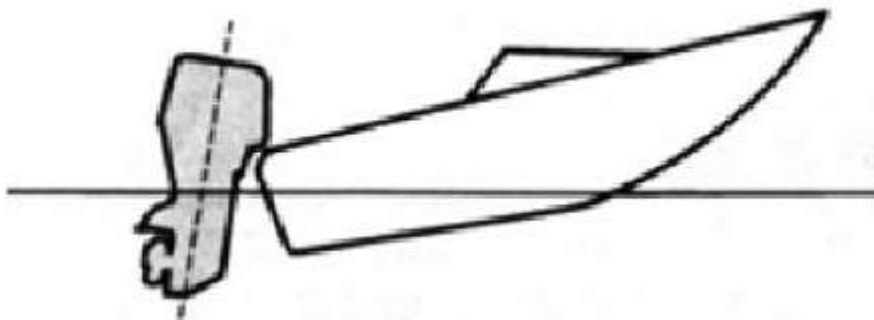
When the boat is on plane, a bow-up attitude results in less drag, greater stability and efficiency. This is generally when the keel line of the boat is up about 3 to 5 degrees. With the bow up, the boat may have a greater tendency to steer to one side or the other.

Compensate for this as you steer. When the bow of the boat is down, it is easier to accelerate from a standing start onto plane.



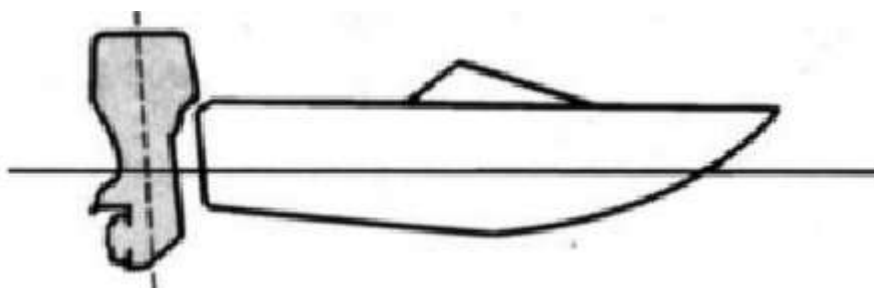
Bow up

Too much trim-out puts the bow of the boat too high in the water. Performance and economy are decreased because the hull of the boat is pushing the water and there is more air drag. Excessive trim-out can also cause the propeller to ventilate, which reduces performance further, and the boat may “porpoise”(hop in the water),which could throw the operator and passengers overboard.



Bow Down

Too much trim-in causes the boat to “plow” through the water, decreasing fuel economy and making it hard to increase speed. Operating with excessive trim-in at higher speeds also makes the boat unstable. Resistance at the bow is greatly increased, heightening the danger of “bow steering” and making operation difficult and dangerous.



TIP:

Depending on the type of boat, the outboard motor trim angle may have little effect on the trim of the boat when operating.

Tilting up and down

If the engine will be stopped for some time or if the boat is moored in shallows, the outboard motor should be tilted up to protect the propeller and lower casing from damage by collision with obstructions, and also to reduce salt corrosion.



Make sure that no one is near the outboard motor when tilting the outboard motor up or down. Otherwise, body parts could be crushed between the outboard motor and

the clamp bracket .

⚠ WARNING

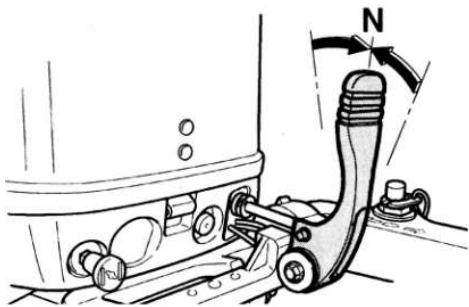
Leaking fuel is a fire hazard. If there is a fuel joint on the outboard motor, disconnect the fuel line or close the fuel cock if the engine will be tilted for more than a few minutes. Otherwise fuel may leak.

NOTICE:

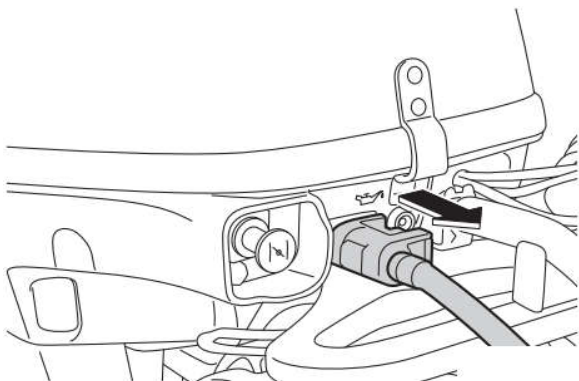
- Before tilting the outboard motor, stop the engine by following the procedure on page 38. Never tilt the outboard motor while the engine is running. Severe damage from overheating can result.
- Do not tilt up the engine by pushing the tiller handle (if equipped) because this could break the handle.

Procedure for tilting up (manual tilt models)

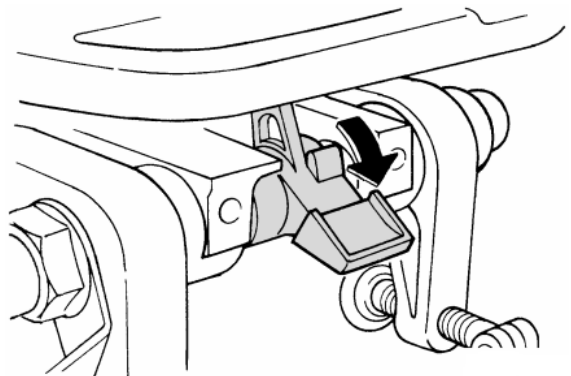
1. Place the gear shift lever in neutral.



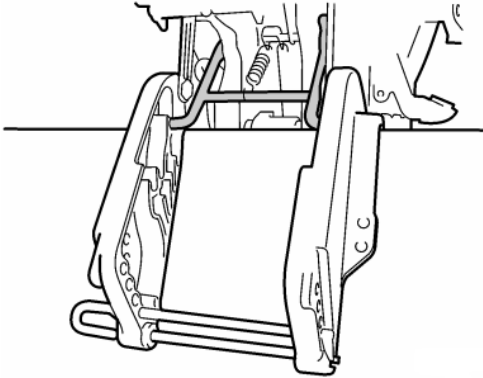
2. Disconnect the fuel line from the outboard motor.



3. Place the tilt lock lever (if equipped) in the release/up position.

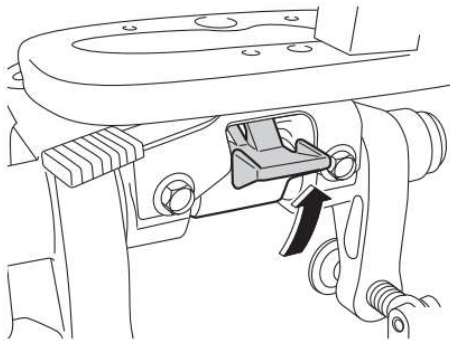


4. Pull up the shallow water lever (if equipped).
5. Hold the rear of the top cowling with one hand and tilt the engine up fully.
6. Push the tilt support knob into the clamp bracket. Or the tilt support bar will turn to the lock position automatically. **NOTICE: Do not use the tilt support lever or knob when trailering the boat. The outboard motor could shake loose from the tilt support and fall. If the motor cannot be trailered in the normal running position, use an additional support device to secure it in the tilt position. For more detailed information, see page 45.**



Procedure for tilting down (manual tilt models)

1. Place the tilt lock lever in the lock position.



2. Slightly tilt the engine up until the tilt support bar is automatically released.
3. Slowly tilt the engine down.

Shallow water

Cruising in shallow water (manual tilt models)

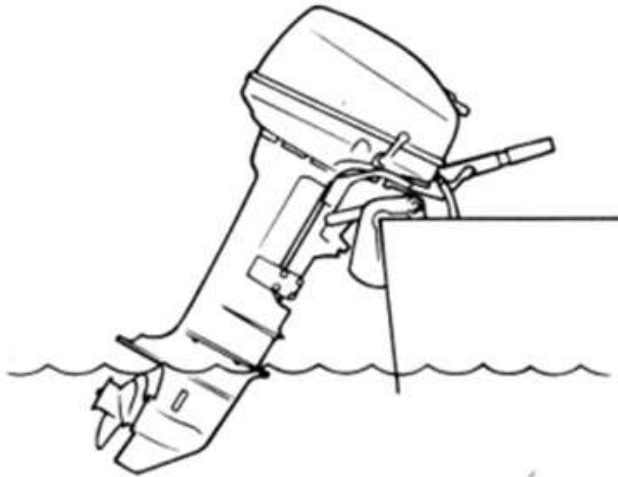
WARNING

- Run the boat at the lowest possible speed when using the shallow water cruising system. The tilt lock mechanism does not work while the shallow water cruising system is being used. Hitting an underwater obstacle could cause the outboard motor to lift out of the water, resulting in loss of control.
- Use extra care when operating in reverse. Too much reverse thrust can cause the

outboard motor to lift out of the water. Increasing the chance of accident and personal injury.

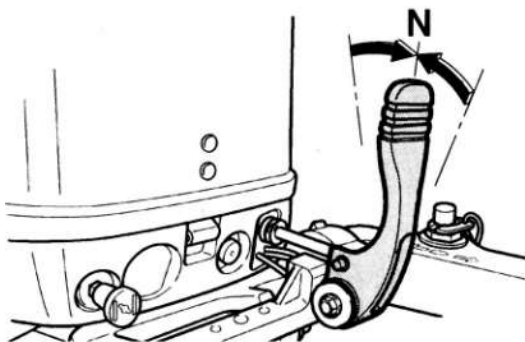
NOTICE:

Do not tilt the outboard motor up so that the cooling water inlet on the lower unit is above the surface of the water when setting up for and cruising in shallow water. Otherwise severe damage from overheating can result.

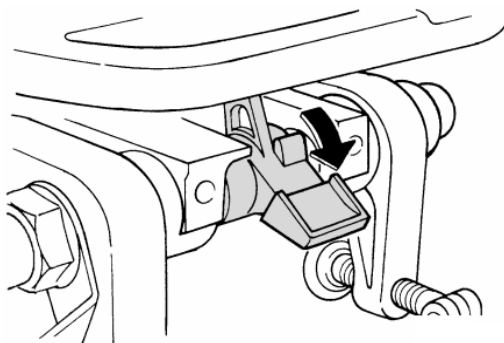


Procedure

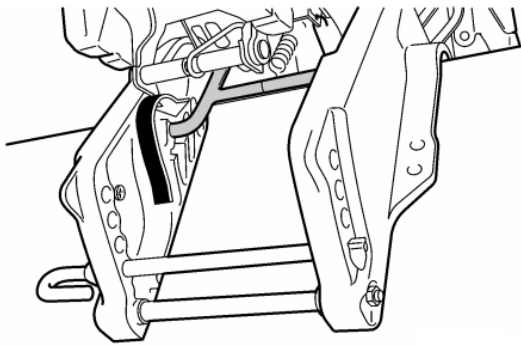
1. Place the gear shift lever in neutral.



2. Place the tilt lock lever in the release/up position



3. Slightly tilt the outboard motor up. The tilt support bar will lock automatically, supporting the outboard motor in a partially raise position. This outboard motor has 2 positions for shallow water cruising.



4. To return the outboard motor to the normal running position, place the remote control lever/gear shift lever in neutral.
5. Place the tilt lock lever in the lock/down position, then slightly tilt the outboard motor up until the tilt support bar automatically returns to the free position.
6. Slowly lower the outboard motor to the normal position.

Cruising in other conditions

Cruising in salt water

After operating in salt water, flush the cooling water passages with fresh water to prevent them from becoming clogged. Also rinse the outside of the outboard motor with fresh water.

Cruising in muddy, turbid, or acidic water

Water in some areas can be acidic or with a lot of sediment in it, such as muddy or turbid (cloudy) water. After operating in such water, flush the cooling passages with fresh water to prevent corrosion. Also rinse the outside of the outboard motor with fresh water.

Maintenance

Transporting and storing outboard motor

⚠ WARNING

- **USE CARE** when transporting fuel tank, whether in a boat or car.
- **Do NOT** fill fuel container to maximum capacity. Gasoline will expand considerably as it warms up and can build up pressure in the fuel container. This can cause fuel leakage and a potential fire hazard.
- **Leaking fuel is a fire hazard.** When transporting and storing the outboard motor, disconnect the fuel line from the outboard motor to prevent fuel from leaking.
- **Never** get under the outboard motor while it is tilted. Severe injury could occur if the outboard motor accidentally falls.
- **Do not** use the tilt support lever or knob when trailering the boat. The outboard motor could shake loose from the tilt support and fall. If the outboard motor cannot

be trailered in the normal running position, use an additional support device to secure it in the tilt position.

NOTICE:

When storing the outboard motor for prolonged time, fuel must be drained from the fuel tank. The deteriorated fuel could clog the fuel line causing engine start difficulty or malfunction.

When storing or transporting the outboard motor, make sure to follow the procedure listed below.

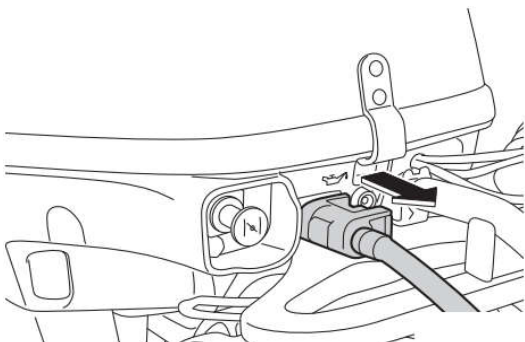
- Disconnect the fuel line from the outboard motor.
- Tighten the fuel tank cap and its air vent screw.
- When the outboard motor is tilted prolonged time for mooring or trailering the boat, disconnect the fuel line from the outboard motor. Tighten the fuel tank cap and its air vent screw.

The outboard motor should be transported and stored in the normal running position. If there is insufficient road clearance in this position, then trailer the outboard motor in the tilt position using a motor support device such as a transom saver bar. Consult your dealer for further details.

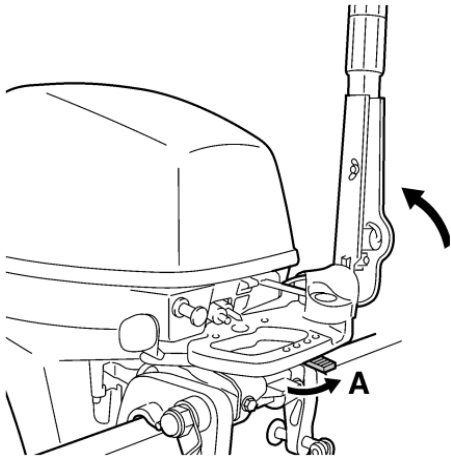
Dismounting the outboard motor

Do not hold the top cowling when mounting or dismounting the outboard motor. The top cowling could come off, causing the outboard to fall.

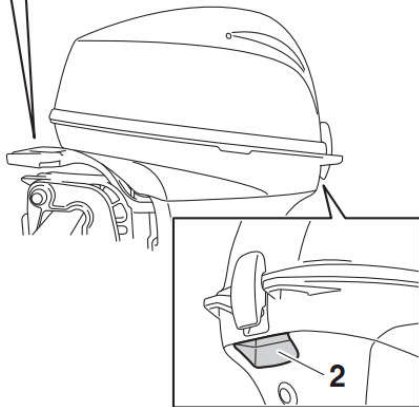
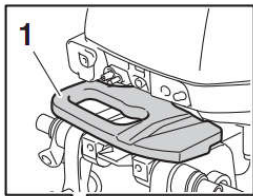
1. Stop the engine and land the boat.
2. Disconnect the fuel line from the outboard motor.



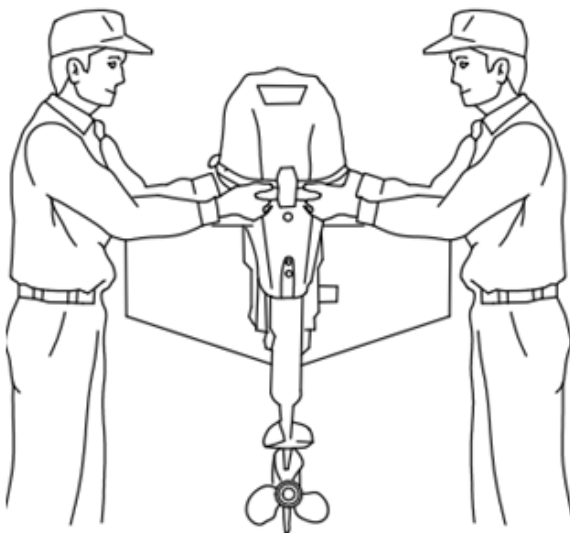
3. For electric start models, disconnect the battery cables from the battery terminals.
4. To prevent steering movement, turn the adjuster lever to "A". (if equipped with the adjuster lever). To hold the steering bracket easily, raise the filler handle to the vertical position (if equipped with the tiller handle).



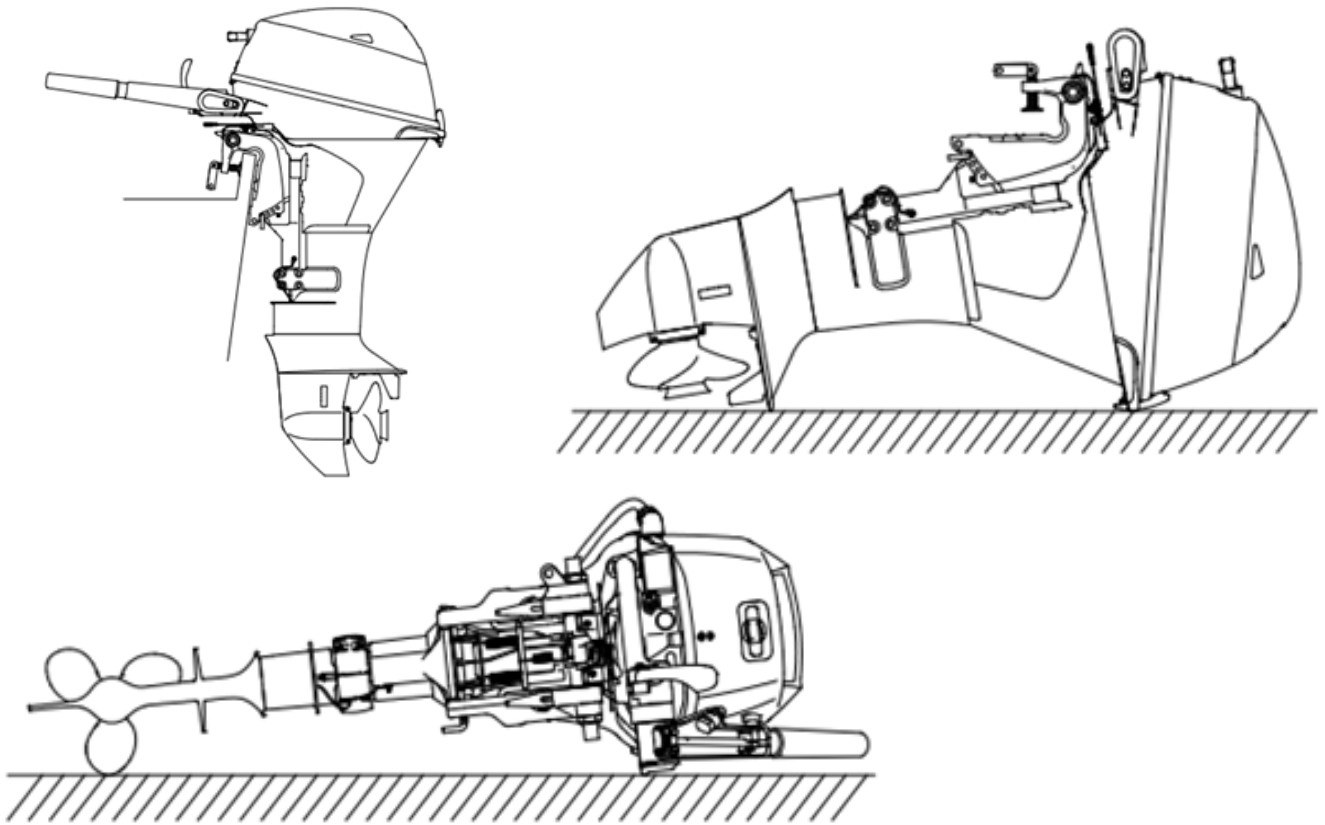
5. Loosen the clamp screw(s).
6. Hold the handgrips and steering brackets as shown in the illustration and lift up the outboard motor to dismount it from the boat.



1. Steering bracket
2. Handgrip



7. When transporting or storing the outboard motor while removed from a boat, keep the outboard motor in the attitude shown.



TIP:

When transporting the outboard motor in a horizontal position, place a towel or something similar under the outboard to protect it from damage.

Storing outboard motor

When storing your outboard motor for prolonged periods of time (2 months or longer), several important procedures must be performed to prevent excessive damage. It is advisable to have your outboard motor serviced by an authorized dealer prior to storage. However, you, the owner, with a minimum of tools, can perform the following procedures.

NOTICE:

- To prevent problems which can be caused by oil entering the cylinder from the sump, keep the outboard motor in the attitude shown when transporting and storing it. If storing or transporting the outboard motor on its side (not up-right), put it on a cushion after draining the engine oil.
- Do not place the outboard motor on its side before the cooling water has drained from it completely, otherwise water may enter the cylinder through the exhaust port and cause engine trouble.
- Store the outboard motor in a dry, well-ventilated place, not in direct sunlight.

Procedure

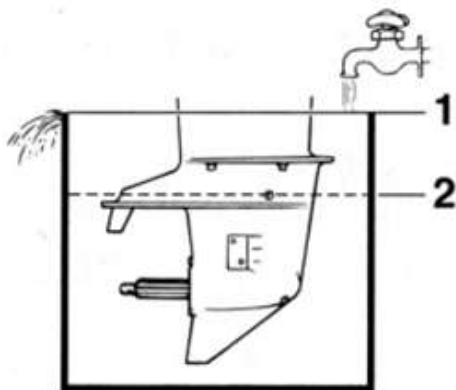
Flushing in a test tank

NOTICE:

Before starting the engine, make sure to supply water to the cooling water passages. Otherwise, the engine could overheat and be damaged.

1. Dismount the outboard motor from the boat. For further details, see page 45.
2. Wash the outboard motor body using fresh water. **NOTICE: Do not spray water into the air intake.** For further information, see page 50.
3. Disconnect the fuel line from the outboard motor.
4. Remove the top cowling and silencer cover/cap, if equipped. Remove the propeller. For further details, see page 62.
5. Position the outboard motor on a water tank. For further details, see page 22.
6. Fill the tank with fresh water until the anti-cavitation plate is immersed in water.

NOTICE: If the fresh water level is below the level of the anti-cavitation plate, or if the water supply is insufficient, engine seizure may occur.



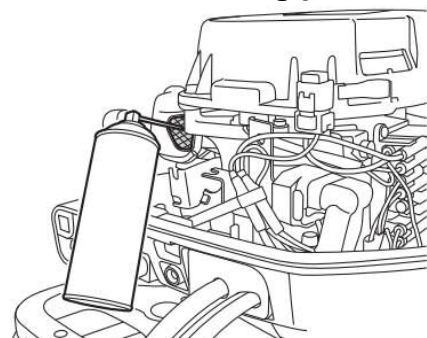
1. Water surface
2. Lowest water level.

7. Cooling system flushing is essential to prevent the cooling system from clogging up with salt, sand, or dirt. In addition, forging/lubricating of the engine is mandatory to prevent excessive engine damage due to rust. Perform the flushing and fogging at the same time.

WARNING! Do not touch or remove electrical parts when starting or during operation. Keep hands, hair, and clothes away from the flywheel and other rotating parts while the engine is running.

8. Run the engine at a fast idle for a few minutes in neutral position.

9. Just prior to turning off the engine, quickly spray "Fogging Oil" alternately into each carburetor or the fogging hole of the silencer cover, if equipped. When



properly done, the engine will smoke excessively and almost stall.

10. Remove the outboard motor from the test tank.
11. Install the silencer cover/cap of fogging hole (if equipped) and top cowling.
12. If the “Fogging Oil” is not available, run the engine at a fast idle until the fuel system becomes empty and the engine stops.
13. Drain the cooling water completely out of the motor .Clean the body thoroughly.
14. If the “Fogging Oil” is not available, remove the spark plug(s). Pour a teaspoonful of clean engine oil into each cylinder. Crank several times manually. Replace the spark plug(s).
15. Drain the fuel from the fuel tank.
16. Store the fuel tank in a dry, well-ventilated place, not in direct sunlight.

Lubrication

1. Change the gear oil. For instruction, see page 63. Check the gear oil for the presence of water that indicates a leaky seal. Seal replacement should be performed by an authorized dealer prior to use.
2. Lubricate all grease fittings. For further details, see page 55.

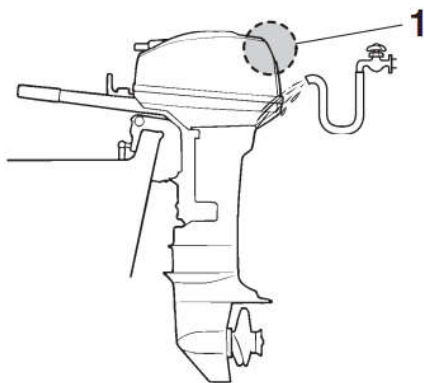
TIP:

For long-term storage, fogging the engine with fogging oil is recommended. Contact your dealer for information about fogging oil and procedures for your outboard motor.

Cleaning the outboard motor

When cleaning the outboard motor, the top cowling must be installed.

1. Wash the exterior of the outboard motor using fresh water. **NOTICE: Do not spray water into the air intake.**



1. Air intake

2. Drain the cooling water completely out of the outboard motor. Clean the body thoroughly.

Checking painted surface of outboard motor

Check the outboard for scratches, nicks, or flaking paint. Areas with damaged paint are more likely to corrode. If necessary, clean and paint the areas. Touch-up paint is available from your dealer.

Periodic maintenance



These procedures require mechanical skills, tools, and supplies. If you do not have the proper skills, tools, or supplies to perform a maintenance procedure, have a dealer or other qualified mechanic do the work.

The procedures involve disassembling the motor and exposing dangerous parts. To reduce the risk or injury from moving hot, or electrical parts:

- **Turn off the engine and keep the key(s) and engine shut-off cord (lanyard) with you when perform maintenance unless otherwise specified.**
- **Allow the engine to cool before handling hot parts or fluids.**
- **Always completely reassemble the motor before operation.**

Replacement parts

If replacement parts are necessary, use only genuine our parts or parts of equivalent design and quality. Any part of inferior quality may malfunction, and the resulting loss of control could endanger the operator and passengers. Our genuine parts and accessories are available from your dealer.

Severe operating conditions

Severe operating conditions involve one or more of the following types of operation on a regular basis:

- Operating continuously at or near maximum engine speed (rpm) for many hours.
- Operating continuously at a low engine speed (rpm) for many hours.
- Operating without sufficient time for engine to warm up and cool down.
- Frequent quick acceleration and deceleration.
- Frequent shifting.
- Frequently starting and stopping the engine(s).
- Operation that fluctuates often between light and heavy cargo loads.

Outboard motors operating under any of these above conditions require more frequent maintenance. We recommends that you do this service twice as often as specified in the maintenance chart. For example, if a particular service should be done at 50 hours, do it

instead at 25 hours. This will help prevent more rapid deterioration of engine components.

Maintenance chart 1

TIP:

- Refer to the sections in this chapter for explanations of each owner-specific action.
- The maintenance cycle on these charts assume usage of 100 hours per year and regular flushing of the cooling water passage. Maintenance frequency should be adjusted when operating the engine under adverse conditions such as extended trolling.
- Disassembly or repairs may be necessary depending on the outcome of maintenance checks.
- Expendable or consumable parts and lubricants will lose their effectiveness over time and through normal usage regardless of the warranty period.
- When operating in salt water, muddy, other turbid (cloudy), acidic water, the engine should be flushed with clean water after each use.

The "●" symbol indicates the check-ups which you may carry out yourself.

The "○" symbol indicates work to be carried out by your dealer.

Item	Actions	Initial	Every			page
		20 hours (3 months)	100 hours (1 year)	300 hours (3 years)	500 hours (5 years)	
Anode(s) (external)	Inspection or replacement as necessary		●/○			66
Anode(s) (internal)*1	Inspection or replacement as necessary		○			—
Anode(s) (internal)*2	Replacement				○	—
Cooling water leakage	Inspection or replacement as necessary	○	○			—
Cowling lock lever	Inspection		●/○			27,28
Engine starting condition/noise	Inspection	●/○	●/○			31
Engine idle speed/noise	Inspection	●/○	●/○			58
Engine oil	Replacement	●/○	●/○			58
Engine oil fitter(built into oil pan)	Inspection or replacement as necessary		○			27
Fuel filter(disposal type)	Replacement		○			—
Fuel line	Inspection	●	●			-
Fuel line	Inspection or replacement as	○	○			-

	necessary					
Fuel pump	Inspection or replacement as necessary			○		—
Fuel/engine oil leakage	Inspection	○	○			—
Gear oil	Replacement	●/○	●/○			63
Greasing points	Greasing	●/○	●/○			55
Impeller/water pump housing	Inspection or replacement as necessary		○			—
Impeller/water pump housing	Replacement			○		—
Propeller/propeller nut/cotter pin	Inspection or replacement as necessary	●/○	●/○			61
Shift link/shift cable	Inspection, adjustment or replacement as necessary	○	○			—
Spark plug(s)	Inspection or replacement as necessary		●/○			56
Spark plug caps/spark plug wires	Inspection or replacement as necessary	○	○			—
Water from the cooling water pilot hole	Inspection	●/○	●/○			36
Throttle link/throttle cable	Inspection, adjustment or replacement as necessary	○	○			—
Thermostat	Inspection or replacement as necessary		○			—
Timing belt	Inspection or replacement as necessary		●/○			—
Valve clearance	Inspection and adjustment				○	—
Cooling water inter	Inspection	●/○	●/○			13
stop switch	Fill, changing or replacing as necessary	○	○			—
Wire harness connections/wire coupler connections	Inspection or replacement as necessary	○	○			—
Fuel tank (portable tank)	Inspection and cleaning as		○			—

	necessary					
--	-----------	--	--	--	--	--

*1 cylinder head

*2 cylinder head

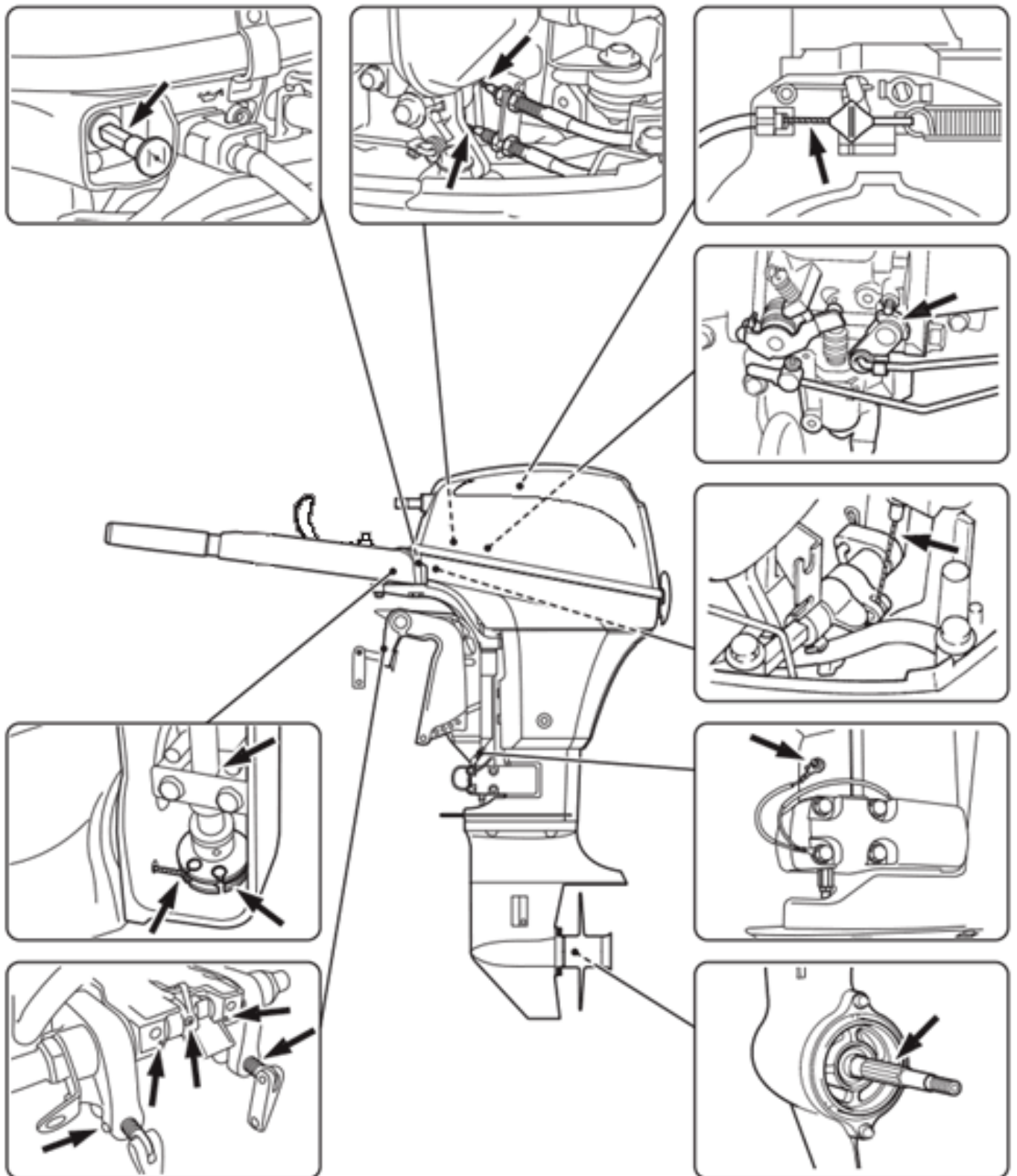
Maintenance chart 2

Item	Actions	Every	Page
		1000 hours	
Exhaust guide/exhaust manifold	Inspection or replacement as necessary	○	—
Timing belt	Replacement	○	—

Greasing

Grease A (water resistant grease)

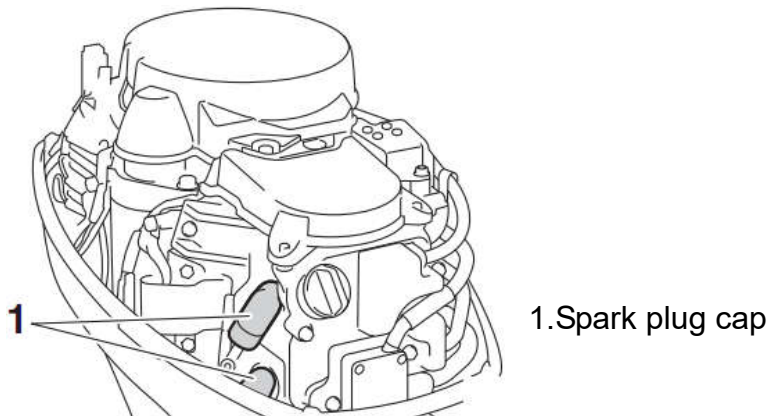
Grease D (corrosion resistant grease, for propeller shaft).



Cleaning and adjusting spark plug

The spark plug is an important engine component and is easy to inspect. The condition of the spark plug can indicate something about the condition of the engine. For example, if the center electrode porcelain is very white, this could indicate an intake air leak or carburetion problem in that cylinder. Do not attempt to diagnose any problems yourself. Instead, take the outboard motor to a dealer. You should periodically remove and inspect the spark plug because heat and deposits will cause the spark plug to slowly break down and erode.

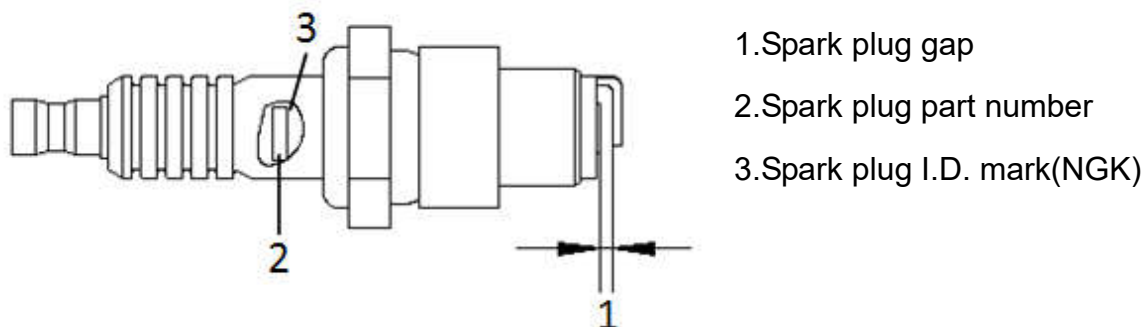
1. Remove the spark plug caps from the spark plugs.



2. Remove the spark plug. If electrode erosion becomes excessive, or if carbon and other deposits are excessive, you should replace the spark plug with another of the correct type. **WARNING! When removing or installing a spark plug, be careful not to damage the insulator. A damaged insulator could allow external sparks, which could lead to explosion or fire.**

Standard spark plug:
BR6HS-10

3. Be sure to use the specified spark plug, otherwise the engine may not operate properly. Before fitting the spark plug, measure the electrode gap with a wire thickness gauge; replace it if out of specification.



Spark plug gap:
0.9-1.0mm(0.035-0.039in)

4. When fitting the plug, wipe off any dirt from the threads, and then screw it in to the correct torque.

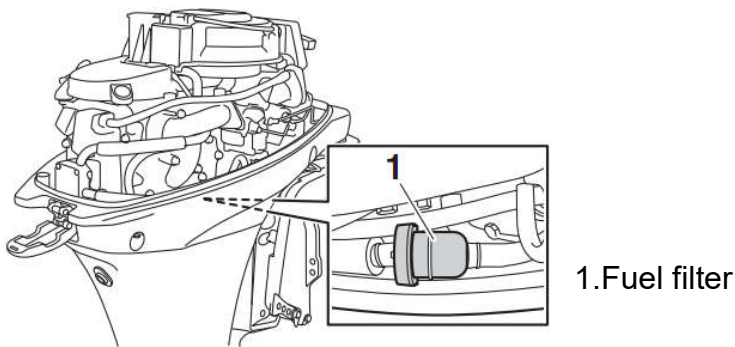
Spark plug torque:
24Nm(2.45kgf-m, 17.7ft-lb)

TIP:

If a torque-wrench is not available when you are reinstalling a spark plug, a good estimate of the correct torque is 1/12 turn past finger-tight. When you are installing a new spark plug, a good estimate of the correct torque is 1/2 to 2/3 turn past finger-tight.

Checking fuel filter

Check the fuel filter periodically. If any water or foreign matter is found in the filter, clean or replace it. For cleaning or replacement of the fuel filter, consult your dealer.



Inspecting idle speed



- Do not touch or remove electrical parts when starting or during operation.
- Keep hands, hair, and cloths away from the flywheel and other rotating parts while the engine is running.

NOTICE:

This procedure must be performed while the outboard motor is in the water. A flushing attachment or test tank can be used.

If the boat is not equipped with a tachometer for the outboard motor, use a diagnostic tachometer for this procedure. Results may vary depending on whether testing is conducted with the flushing attachment, in a test tank, or with the outboard motor in the water.

1. Start the engine and allow in to warm up fully in neutral until it is running smoothly.
2. Once the engine has warmed up, verify whether the idle speed is set to specification.

For idle speed specifications, see page 8. If you have difficulty verifying the idle speed, or the idle speed requires adjustment, consult a dealer or other qualified mechanic.

Changing engine oil

WARNING

- **Avoid draining the engine oil immediately after stopping the engine. The oil is not hot and should be handle with care to avoid burns .**
- **Be sure the outboard motor is securely fastened to the transom or a stable stand.**

NOTICE:

Change the engine oil after the first 20 hours of operation or 3 months, and every 100 hours or at 1-year intervals there-after. Otherwise the engine will wear quickly.

To prevent spilling oil where it could cause damage to nature, it is strongly recommended that you use an oil changer or change the engine oil. If an oil changer is not available, drain the engine oil by removing the drain screw. If you are not familiar with the procedure for changing the engine oil, consult your dealer.

1. Put the outboard motor in an upright position (not tilted),

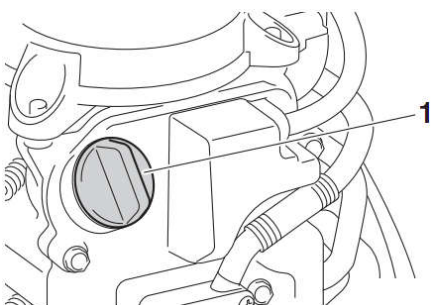
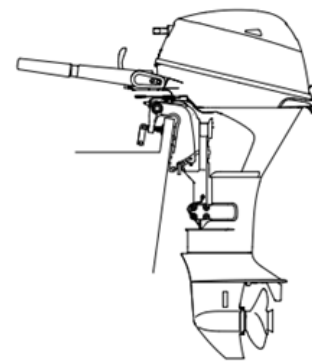
NOTICE: If the outboard motor is not level, the oil level indicated on the oil dipstick may not be accurate.

2. Start the engine. Warm it up and keep the idle speed for 5-10 minutes.

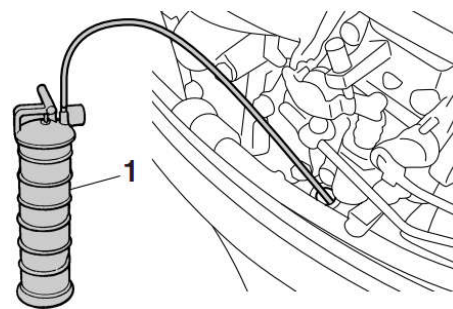
3. Stop the engine and leave it for 5-10 minutes.

4. Remove the top cowling.

5. Remove the oil filler cap. Pull out the dipstick and use the oil changer to extract the oil completely.



1. Oil filler cap



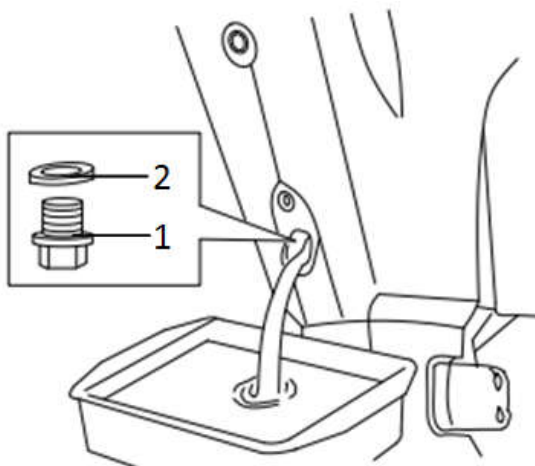
1. Oil changer

TIP:

When using an oil changer, skip steps 6 and 7.

6. Prepare a suitable container that holds a larger amount than the engine oil capacity.

Remove the drain screw and gasket while holding the container under the drain hole. Let the oil drain completely. Wipe up any spilled oil immediately.



1. Drain screw
2. Gasket

TIP:

If the oil does not drain easily, change the tilt angle or turn the outboard motor to port and starboard to drain the oil.

7. Put a new gasket on the oil drain screw. Apply a light coat of oil to the gasket and install the drain screw.

Drain screw tightening torque:

24 Nm (2.45 kgf -m, 17.7 ft-lb)

TIP:

If a torque wrench is not available when you are installing the drain screw, finger tighten the screw just until the gasket comes into contact with the surface of the drain hole. Then tighten 1/4 to 1/2 turn more. Tighten the drain screw to the correct torque with a torque wrench as soon as possible.

8. Add the correct amount of oil through the filler hole. Put back the filler cap and the dipstick. **NOTICE: Overfilling the oil could cause leakage or damage. If the oil level is above the upper level mark, drain until the level meets the specified capacity.**

Recommended engine oil:

4-stroke outboard motor oil

Engine oil quantity

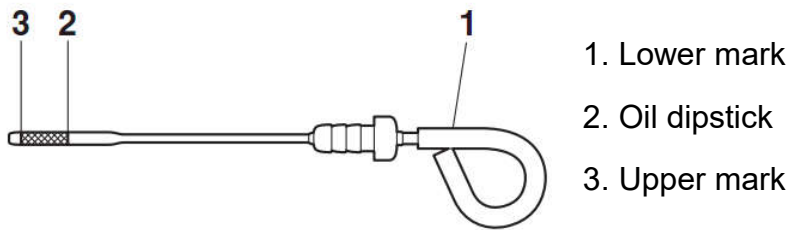
0.8 L (0.85 US qt, 0.7 Imp-qt)

9. Leave the outboard motor for 5-10 minutes.

10. Remove the oil dipstick and wipe it clean.

11. Insert the dipstick and remove it again. Be sure to completely insert the dipstick into the dipstick guide, otherwise the oil level measurement will be incorrect.

12. Recheck the oil level using the dipstick to be sure the level falls between the upper and lower marks. Consult your dealer if the oil level is out of specified level.



13. Start the engine and make sure that the low oil pressure-alert indicator remains off. Also, make sure that there are no oil leaks. **NOTICE: If the low oil pressure-alert indicator comes on or if there are oil leaks, stop the engine and find the cause. Continued operation with a problem could cause severe engine damage. Consult your dealer if the problem cannot be located and corrected.**

14. Install the top cowling.

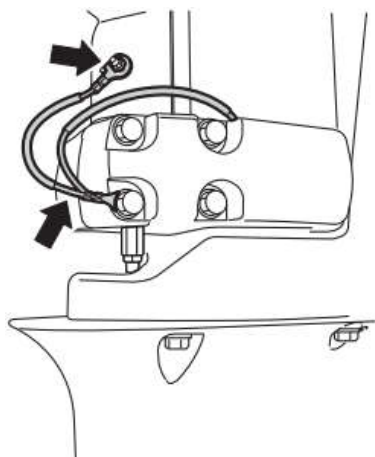
15. Dispose of used oil according to local regulations.

TIP:

- For more information on the disposal of used oil, consult your dealer.
- Change the oil more often when operating the engine under adverse conditions such as extended trolling.

Inspecting wiring and connectors

- Inspect that each connector is engaged securely.
- Inspect that each ground lead is properly secured.

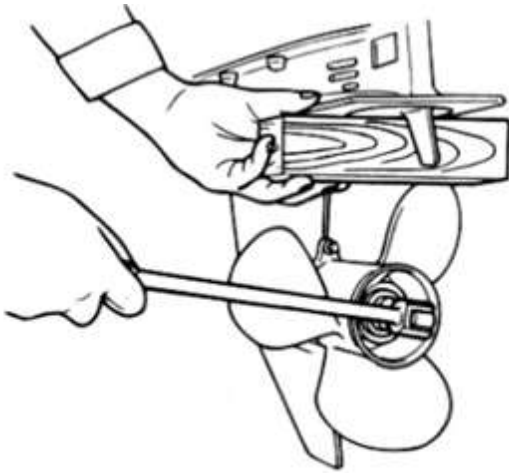


Checking propeller



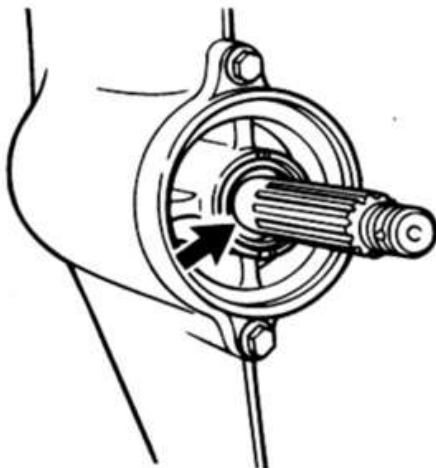
You could be seriously injured if the engine accidentally starts when you are near the propeller. Before inspecting, removing, or installing the propeller, place the shift control in neutral, turn the main switch to “OFF” (off) and remove the key, and remove the clip from the engine shut-off switch. Turn off the battery out-off switch if you boat has one.

Do not use your hand to hold the propeller when loosening or tightening the propeller nut. Put a wood block between the anti-cavitation plate and the propeller to prevent the propeller from turning.



Checkpoints

- Check each of the propeller blades for erosion from cavitation or ventilation, or other damage.
- Check the propeller shaft damage.
- Check the splines for wear or damage.
- Check for fish line tangled around the propeller shaft.

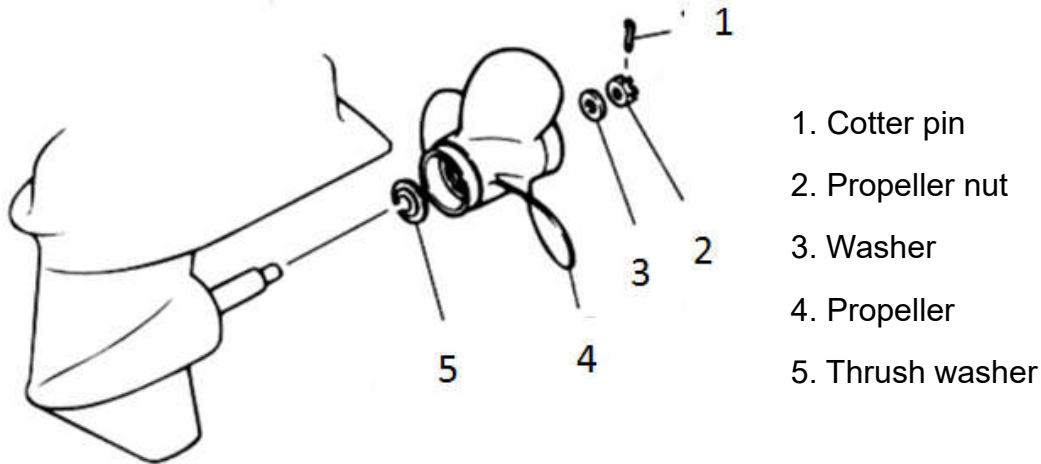


- Check the propeller shaft oil seal for damage.

Removing propeller

Spline models

1. Straighten the cotter pin and pull it out using a pair of pliers.
2. Remove the propeller nut, washer, and spacer (if equipped). **WARNING! Do not use your hand to hold the propeller when loosening the propeller nut.**



3. Remove the propeller, washer (if equipped), and thrust washer.

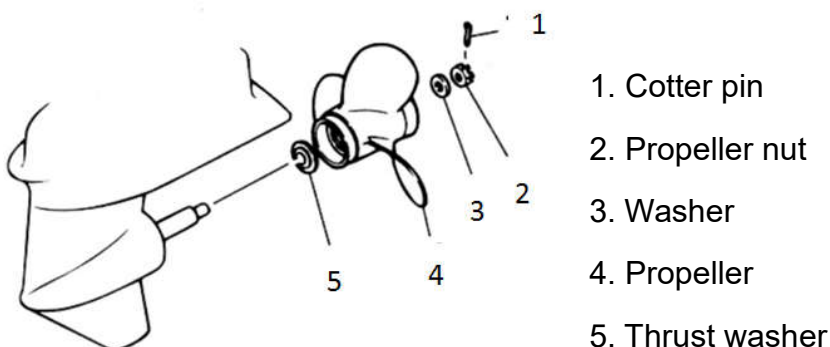
Installing propeller

Spline models

NOTICE:

Make sure to use a new cotter pin and bend the ends over securely. Otherwise, the propeller could come off during operation and be lost.

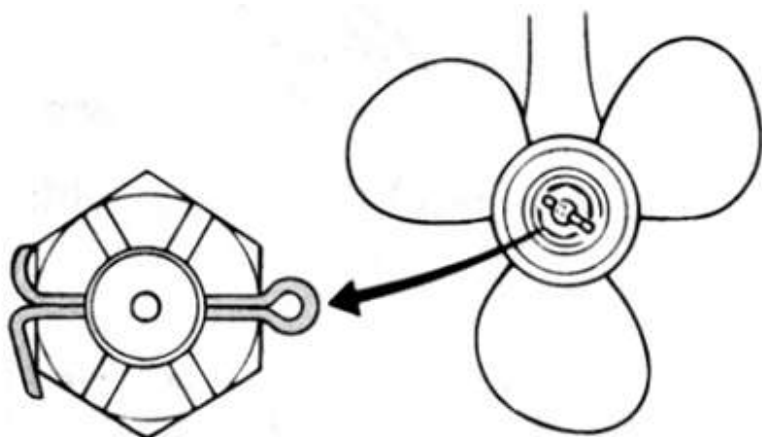
1. Apply marine grease or a corrosion resistant grease to the propeller shaft.
2. Install the spacer (if equipped), thrust washer, washer (if equipped), and propeller on the propeller shaft. **NOTICE: Make sure to install the thrust washer before installing the propeller. Otherwise, the lower case and propeller boss could be damage.**
3. Install the spacer (if equipped) and the washer, Tighten the propeller nut to the specified torque.



Propeller nut tightening torque:

17 nm (1.73 kgf-m, 12.5 ft-lb)

4. Align the propeller nut slot with the propeller shaft hole. Insert a new cotter pin in the hole and bend the cotter pin ends. **NOTICE: Do not reuse the cotter pin. Otherwise, the propeller can come off during operation.**



TIP:

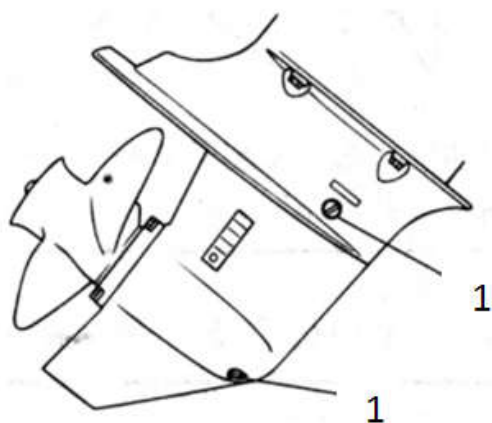
If the propeller nut slot does not align with the propeller shaft hole after tightening the propeller nut to the specified torque, tighten the nut further to align the slot with the hole.

Changing gear oil



- **Be sure the outboard motor is securely fastened to the transom or a stable stand. You could be severely injured if the outboard motor falls on you.**
 - **Never get under the lower unit while it is tilted, even when the tilt support lever or knob is locked. Severely injury could occur if the outboard motor accidentally falls.**
1. Tilt the outboard motor so that the gear oil drain screw is at the lowest point possible.
 2. Place a suitable container under the gear case.
 3. Remove the gear oil drain screw and gasket. **NOTICE: If there is an excessive quantity of**

metal particles on the magnetic gear oil drain screw, this can indicate lower unit problem. Consult your dealer.



1. Gear oil drain screw

TIP:

- If a magnetic gear oil drain screw is equipped, remove all metal particles from the screw before installing it.
 - Always use new gaskets. Do not reuse the moved gaskets.
4. Remove the oil level plug and gasket to allow the oil to drain completely.

NOTICE: Check the used gear oil after it has been drained. If the gear oil is milky or contains water or large amount of metal particles, the gear case may be damaged.

Have a dealer check and repair the outboard motor.

TIP:

For disposal of used oil, consult your dealer.

5. Put the outboard motor in a vertical position. Using a flexible or pressurized filling device, inject the gear oil into the gear oil drain screw hole.

Recommended gear oil:

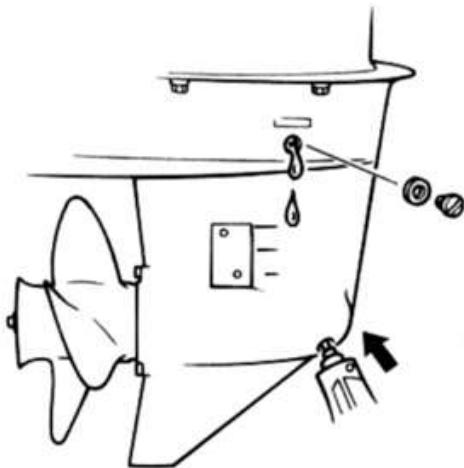
Hypoid gear oil

Recommended gear oil grade:

SAE 90 API GL-4

Gear oil quantity:

0.150L (0.159 US qt, 0.132 Imp-qt)



6. Put a new gasket on the oil level plug. When the oil begins to flow out of the oil level plug hole. Insert and tighten the oil level plug.

Tightening torque:

9 Nm (0.92 kgf-m, 6.6 ft-lb)

7. Put a new gasket on the gear oil drain screw. Insert and tighten the gear oil drain screw.

Tightening fuel tank:

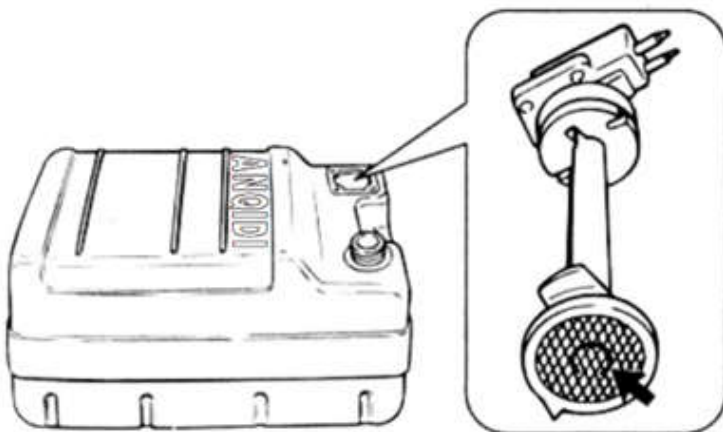
9 Nm (0.92 kgf-m, 6.6 ft-lb)

Cleaning fuel tank



Gasoline is highly flammable, and its vapors are flammable and explosive.

- **If you have any question about properly doing this procedure, consult your dealer.**
 - **Keep away from sparks, cigarettes, flames, or other sources of ignition when cleaning the fuel tank.**
 - **Remove the fuel tank from the boat before cleaning it. Work only outdoors in an area with good ventilation.**
 - **Wipe up any spilled fuel immediately.**
 - **Reassemble the fuel tank carefully. Improper assembly can result in a fuel leak, which could result in a fire or explosion hazard.**
 - **Dispose of old gasoline according to local regulations.**
1. Empty the fuel tank into an approved container.
 2. Pour a small amount of suitable solvent into the tank. Install the cap and shake the tank. Drain the solvent completely.
 3. Remove the screws holding the fuel joint assembly. Pull the assembly out of the tank.



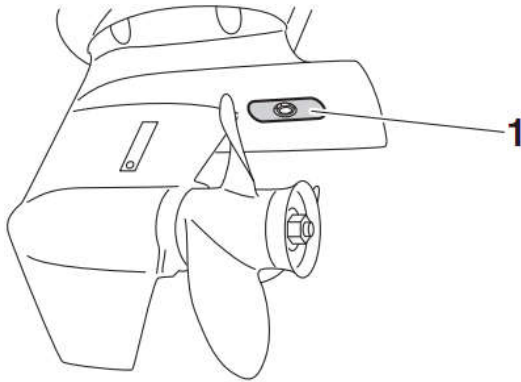
4. Clean the filter (located on the end of the suction pipe) in a suitable cleaning solvent. Allow the filter to dry.
5. Replace the gasket with a new one. Reinstall the fuel joint assembly and tighten the screws firmly.

Inspecting and replacing anode(s)

Outboard motors are protected from corrosion by sacrificial anode. Inspect the external anode periodically. Remove scales from the surfaces of the anode. Consult a dealer for replacement of external anode.

NOTICE

Do not paint anodes, as this would render them ineffective.



1. Anode

TIP:

Inspect ground leads attached to external anodes on equipped models. Consult a dealer for inspection and replacement of internal anodes attached to the power unit.

Trouble recovery

Troubleshooting

A problem in the fuel, compression, or ignition systems can cause poor starting, loss of power, or other problem. This section describes basic checks and possible remedies, and covers all our outboard motors. Therefore some items may not apply to your model.

If your outboard motor require repair, bring it to your dealer.

If the engine trouble-alert indicator is flashing, consult your dealer.

Starter will not operate.

Q. Is battery capacity weak or low?

A. Check battery condition. Use battery of recommended capacity.

Q. Are battery connections loose or corroded?

A. Tighten battery cables and clean battery terminals.

Q. Is fuse for electric start relay or electric circuit blown?

A. Check for cause of electric overload and repair. Replace fuse with one of correct amperage.

Q. Are starter components faulty?

A. Have service by a dealer.

Q. Is shift lever in gear?

A. Shift to neutral.

Engine will not start (starter operates)

Q. Is fuel tank empty?

A. Fill tank with clean, fresh fuel.

Q. Is fuel contaminated or stale?

A. Fill tank with clean, fresh fuel.

Q. Is fuel filter clogged?

A. Clean or replace filter.

Q. Is starting procedure incorrect?

A. See page 32.

Q. Has fuel pump malfunctioned?

A. Have serviced by a dealer.

Q. Are sparks plug(s) fouled or of incorrect type?

A. Inspect spark plug(s). Clean or replace with recommended type.

Q. Are spark plug cap(s) fitted incorrectly?

A. Check and re-fit-cap(s).

Q. Is ignition wiring damaged or poorly connected?

A. Check wires for wear or breaks. Tighten all loose connections. Replace worn or broken wire.

Q. Are ignition parts faulty?

A. Have serviced by a dealer.

Q. Is engine shut-off cord (lanyard) not attached?

A. Attach cord.

Q. Are engine inner parts damaged?

A. Have serviced by a dealer.

Engine idles irregularly or stalls.

Q. Are spark plug(s) fouled or of incorrect type?

A. Inspect spark plug(s). Clean or replace with recommended type.

Q. Is fuel system obstructed?

A. Check for pinched or kinked fuel line or other obstructions in fuel system.

Q. Is fuel contaminated or stale?

A. Fill tank with clean, fresh fuel.

Q. Is fuel filter clogged?

A. Clean or replace filter.

Q. Have ignition parts failed?

A. Have serviced by a dealer.

Q. Has alert system activated?

A. Find and correct cause of alert.

Q. Is spark plug gap incorrect?

A. Inspect and adjust as specified.

Q. Is ignition wiring damaged or poorly connected?

A. Check wires for wear or breaks. Tighten all loose connections. Replace worn or broken wires.

Q. Is specified engine oil not being used?

A. Check and replace oil as specified.

Q. Is thermostat faulty or clogged?

A. Have serviced by a dealer.

Q. Are carburetor adjustments incorrect?

A. Have serviced by a dealer?

Q. Is fuel pump damaged?

A. Have serviced by a dealer.

Q. Is air vent screw on fuel tank closed?

A. Open air vent screw.

Q. Is choke knob pulled out?

A. Return to home position.

Q. Is motor angle too high?

A. Return to normal operating position.

Q. Is carburetor clogged?

A. Have serviced by a dealer.

Q. Is fuel joint connection incorrect?

A. Connect correctly.

Q. Is throttle valve adjustment incorrect?

A. Have serviced by a dealer.

Q. Is battery cable disconnected?

A. Connect securely.

Alert buzzer sounds or indicator lights.

Q. Is cooling system clogged?

A. Check water intake for restriction.

Q. Is engine oil level low?

A. Fill oil tank with specified engine oil.

Q. Is heat range of spark plug incorrect?

A. Inspect spark plug and replace it with recommended type.

Q. Is specified engine oil not being used?

A. Check and replace oil with specified type.

Q. Is engine oil contaminated or deteriorated?

A. Replace oil with fresh, specified type.

Q. Is oil filter clogged?

A. Have serviced by a dealer.

Q. Has oil feed/injection pump malfunctioned?

A. Have serviced by a dealer.

Q. Is load on boat improperly distributed?

A. Distribute load to place boat on an even plane.

Q. Is water pump or thermostat faulty?

A. Have serviced by a dealer.

Q. Is there excess water in fuel filter cup?

A. Drain filter cup.

Engine power loss.

Q. Is propeller damaged?

A. Have propeller repaired or replace.

Q. Is propeller pitch or diameter incorrect?

A. Install correct propeller to operate outboard at its recommended speed (r/min) range.

Q. Is trim angle incorrect?

A. Adjust trim angle to achieve most efficient operation.

Q. Is motor mounted to proper transom height on transom?

A. Have motor adjusted to proper transom height.

Q. Has alert system activated?

A. Find and correct cause of alert.

Q. Is boat bottom fouled with marine growth?

A. Clean boat bottom.

Q. Are spark plug(s) fouled or of incorrect type?

A. Inspect spark plug(S). Clean or replace with recommended types.

Q. Are weeds or other foreign matter tangled on gear housing?

A. Remove foreign matter and clean lower unit.

Q. Is fuel system obstructed?

A. Check for pinched or kinked fuel line or other obstructions in fuel system.

Q. Is fuel filter clogged?

A. Clean or replace filter.

Q. Is fuel contaminated or stale?

A. Fill tank with clean, fresh fuel.

Q. Is spark plug gap incorrect?

A. Inspect and adjust as specified.

Q. Is ignition wiring damaged or poorly connected?

A. Check wires for wear or breaks. Tighten all loose connections. Replace worn or broken wires.

Q. Have electrical parts failed?

A. Have serviced by a dealer.

Q. Is specified fuel not being used?

A. Replace fuel with specified type.

Q. Is specified engine oil not being used?

A. Check and replace oil with specified type.

Q. Is thermostat faulty or clogged?

A. Have serviced by a dealer.

Q. Is air vent screw closed?

A. Open the air vent screw.

Q. Is fuel pump damaged?

A. Have service by a dealer.

Q. Is fuel joint connection incorrect?

A. Connect correctly.

Q. Is heat range of spark plug incorrect?

A. Inspect spark plug and replace it with recommended type.

Q. Is high pressure fuel pump drive belt broken?

A. Have serviced by a dealer.

Q. Is engine not responding properly to shift lever position?

A. Have serviced by a dealer.

Engine vibrates excessively.

Q. Is propeller damaged?

A. Have propeller repaired or replaced.

Q. Is propeller shaft damaged?

A. Have serviced by a dealer.

Q. Are weeds or other foreign matter tangled on propeller?

A. Remove and clean propeller.

Q. Is motor mounting bolt loose?

A. Tighten bolt.

Q. Is steering pivot loose or damaged?

A. Tighten or have serviced by a dealer.

Temporary action in emergency

Impact damage



The outboard motor can be seriously damaged by a collision while operating or trailering. Damage could make the outboard motor unsafe to operate.

If the outboard motor hits an object in the water, follow the procedure below.



1. Stop the engine immediately.

2. Check the control system and oil components for damage. Also, check the boat for damage.
3. Whether damage is found or not, return to the nearest harbor slowly and carefully.
4. Have a dealer check the outboard motor before operating it again.

Starter will not operate

If the starter mechanism does not operate (the engine cannot be cranked with the starter), the engine can be started with an emergency starter rope.

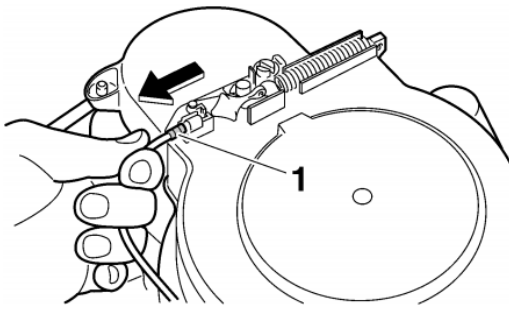


- **Use this procedure only in an emergency to return to the nearest port for repairs.**
- **When the emergency starter rope is used to start the engine, the start-in-gear protection device does not operate. Make sure the remote control level is in neutral. Otherwise the boat could unexpectedly start to move, which could result in an accident.**
- **Attach the engine shut-off cord to a secure place on your clothing, or your arm or leg while operating the boat.**
- **Do not attach the cord to clothing that could tear loose. Do not route the cord where it could become entangled, preventing it from functioning.**
- **Avoid accidentally pulling the cord during normal operation. Loss of engine power means the loss of most steering control. Also, without engine power, the boat could slow rapidly. This could cause people and objects in the boat to be thrown forward.**
- **Make sure no one is standing behind you when pulling the starter rope. It could whip behind you and injure someone.**
- **An unguarded, rotating flywheel is very dangerous. Keep loose clothing and other objects away when starting the engine. Use the emergency starter rope only as instructed. Do not touch the fly-wheel or other moving parts when the engine is running. Do not install the starter mechanism or top cowling after the engine is running.**
- **Do not touch the ignition coil, spark plug wire, spark plug cap, or other electrical components when starting or operating the motor. You could get an electrical shock.**

Emergency starting engine (manual starter model)

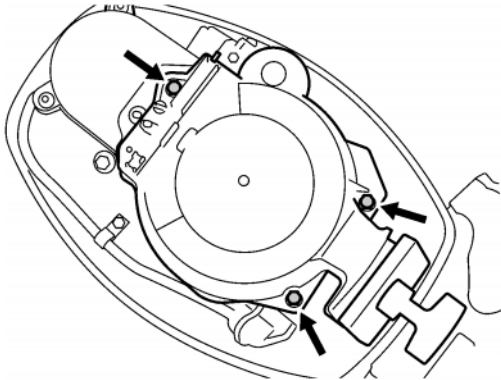
1. Remove the top cowling.

2. Remove the duet cover.



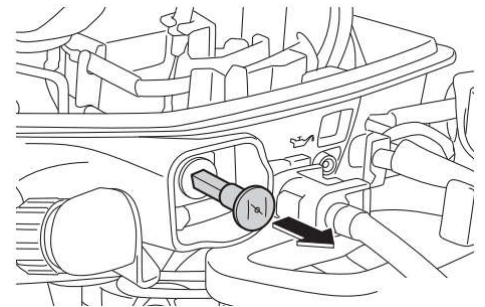
1. Start-in-gear protection cable

3. Remove the starter/flywheel cover after removing the bolt(s).



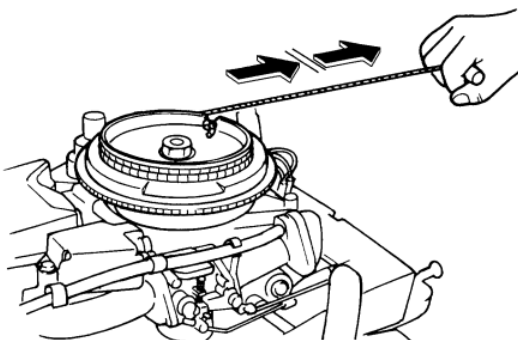
4. Prepare the engine for starting. For further information, see page 32. Be sure that the engine is in neutral and that the clip is attached to the engine shut-off switch. The main switch must be "ON" (on), if equipped.

5. If equipped the choke knob, pull out it when the engine is cold. After the engine starts, gradually return the choke knob to its home position as the engine warms up.



6. Insert the knotted end of the emergency starter rope into the notch in the flywheel rotor and wind the rope several turns around the flywheel clockwise.

7. Give a strong pull straight out to crank and start the engine. Repeat if necessary.



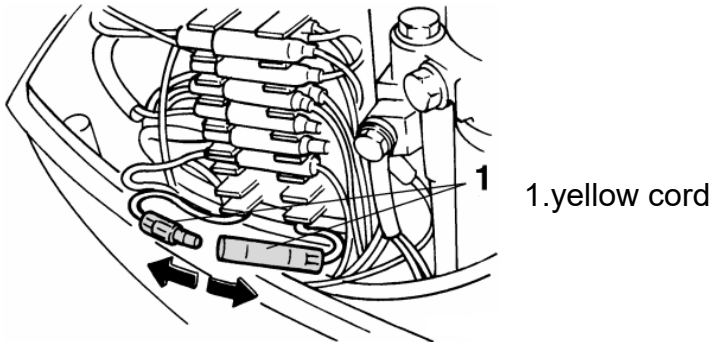
Engine fails to operate

Emergency engine operation

If the battery voltage is low or in the unlikely event of an ignition system malfunction, the engine speed may become erratic or the engine may stop. In such a situation, follow the procedure below.

Disconnect the yellow cord (emergency circuit) of the CDI unit.

Run the engine at lower speed and return to port. **NOTICE: Follow this procedure only in an emergency and just long enough to return to port for repairs.**



Treatment of submerged motor

If the outboard motor is submerged, immediately take it to a dealer. Otherwise some corrosion may begin almost immediately. **NOTICE: Do not attempt to run the outboard motor until it has been completely inspected.**